

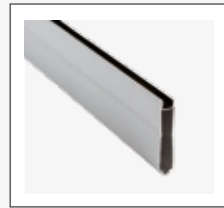
**Rolling shutters from Griesser.**  
Alucolor®





## Alucolor®

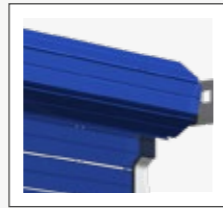
The Alucolor® built-in rolling shutter can be installed not only in new construction but also in conversions and renovations in existing rolling shutter boxes or headers. The straight design of the slats lends the Alucolor® a quiet appearance. Alucolor® 25 is the ideal solution for wide windows. Alucolor® 41, with the slots for light and viewing in its mobile slats, ensures the presence of good air in the room and plenty of light. Alucolor® is optionally available with automatic locking or manual lever and with sliding arm.



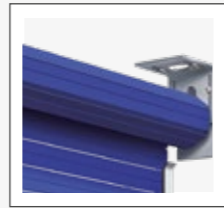
Black groove



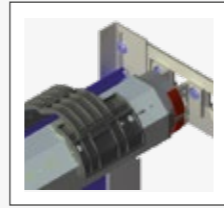
25 and 41 mm slats



Installation Fix



Installation conventional



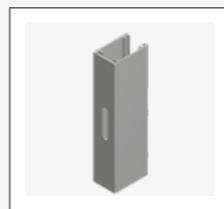
Automatic locking with system Fix (option)



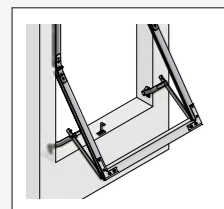
More daylight thanks to slat spacing



Variable Fix bearing



Guide rail with elongated hole



Normal sliding arm (option)



## Product-Highlights Alucolor®

## PRODUCT ADVANTAGES IN DETAIL

### Rolling shutter curtain

Aluminum hollow profiles, 25 or 41 mm, straight form with mechanical connection. Alucolor® 25 with fixed slat connection is the ideal solution for wide windows. Alucolor® 41, with slots for light and viewing in mobile slats, ensures the presence of good air in the room and plenty of light.



### Shading slats with groove and ridge

The positive-fit stacking of the slats creates good darkening. In addition, the groove is painted black with some of the light colors: VSR 010, VSR 130, VSR 240, VSR 901, VSR 904 and RAL 9010. The daylight is refracted through the groove with its black lacquer.



### Guide rails with slot hole

20 x 45 mm, 20 x 30 mm made of extruded aluminum with weatherproof, noise-absorbing inserts. The slot holes ensure flexible, correct fastening of the guide rails to the masonry.



### Adjustable fixed bearing

The adjustable fixed bearing permits vertical and horizontal adjustment of the roller and of the curtain at the construction site.



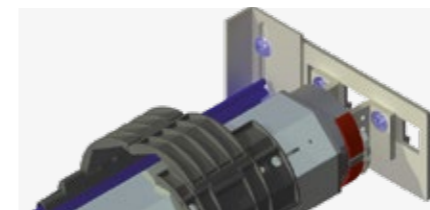
### More light thanks to slat spacing

Movable slat connections of stainless steel result in an air and light slot of approx. 4 mm (approx. 1/4) as required with Alucolor® 41.



### Automatic locking with System Fix (option)

Special mechanics automatically prevent the curtain from being pushed upwards. Alternatively, a manual hand lock is also available.

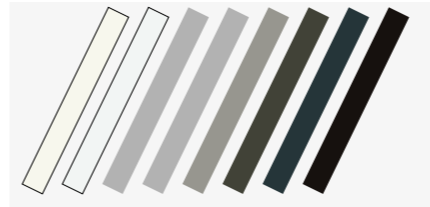
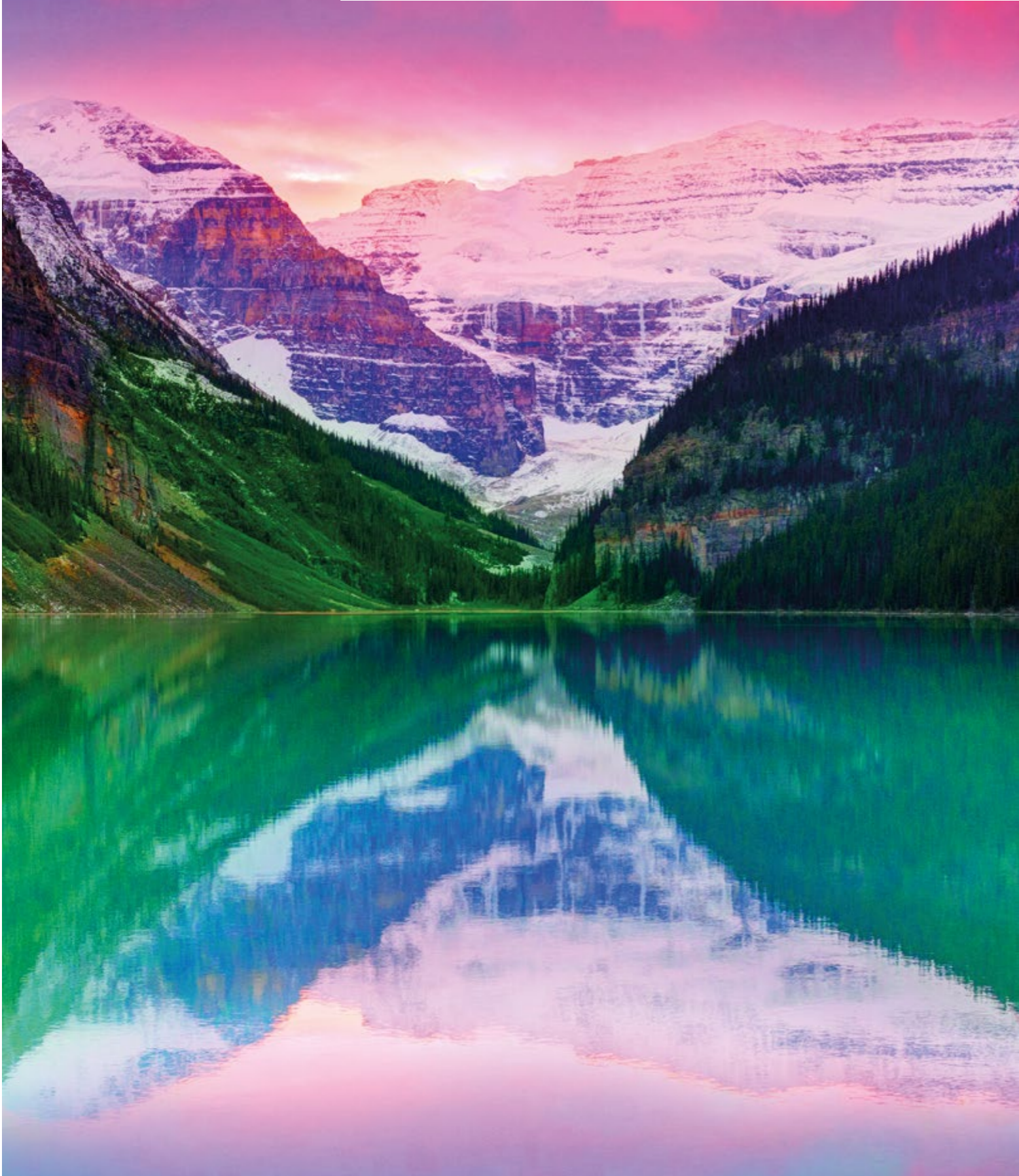


### Installation system

We offer the Alucolor® in two different installation versions. One for the Fix design and one for the conventional version.



# Our color scheme



**Surface structure**  
Semi-gloss



## OUR COLORS

### GRIESSER BESTSELLER COLORS

RAL 9010	RAL 9016	RAL 9006	VSR 140 - Metallic
RAL 9007/VSR 907	RAL 7022	RAL 7016	RAL 8019

## PREMIUM COLORS

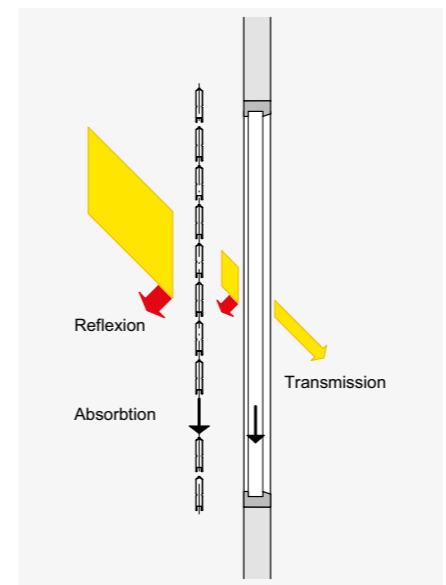
### GriRal Colors

Our GriRal color collection has an assortment of 50 different RAL shades of color. From sand yellow to standard white, we offer a complete selection of hues for every color family. We're convinced that with our color palette, you will find exactly the right shade of color for your needs.

### GriColors

The GriColors range includes 100 color shades in four collections, Glass & Stone, Sun & Fire, Water & Moss and Earth & Wood – from cool white and sunny red to natural blue and earthy brown.

## Our comfort



### CONTROLS

Alucolor® can be operated through a variety of control systems, from a simple hand-held transmitter to a master control or a building management system, depending on the time, position of the sun and the weather.

#### Thermal comfort

The ambient conditions change over the course of the day and during the seasons. With a blinds control device from Griesser, you can adjust your solar shading to match your personal requirements in accordance with changing exterior circumstances. And making these adjustments is so simple that you will still have time to take care of the important things in your life.

An optimal daylight concept makes artificial air conditioning superfluous in the summer. You save energy costs and may well also avoid one or another unwanted summer cold. In the winter, on the other hand, a solar shading system can protect you against cold and allow the scarce rays of the sun into the room, thus saving once again on energy costs, not to mention facial tissues.

#### Visual comfort

Having a sense of well-being also means being able to decide for oneself, particularly within one's own four walls, just how much one wants to reveal to the outside world. With Alucolor®, you are sheltered from uninvited glances from the outside world.



BiLine hand-held transmitter



Centrero server for iPad and iPhone operation

### BILINE - REMOTE CONTROL

The control system Griesser BiLine provides contemporary design and high functional security through routing technology. Wireless systems have the advantage of being installed quickly, not only in new buildings but also when refitting an automated system in existing buildings.



### KNX / GBUS HOME AND BUILDING AUTOMATION

The Griesser KNX and gBUS solar shading controls are integrated master controls with extensive functionalities for any building of any size. With proven functions such as solar tracking and horizon limitation, it meets the highest expectations for solar shading control.



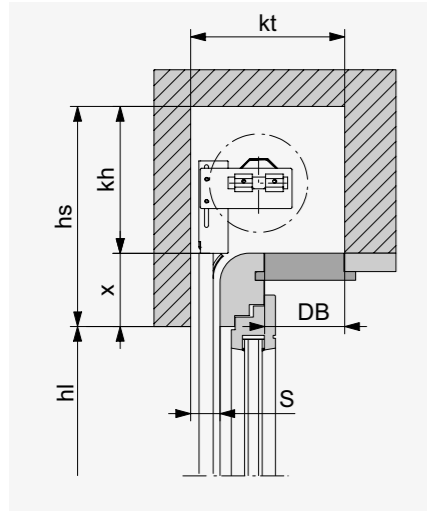
KNX / gBUS controls per iPad



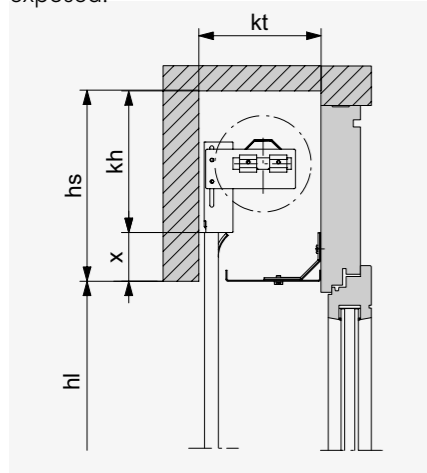


# Technology in detail

## Vertical section: Example of header

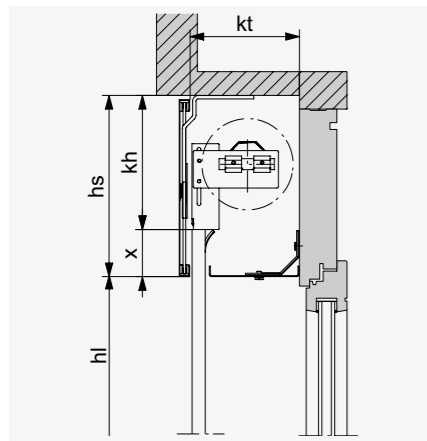


In the case of a manual drive, 20 mm of the end rail under the header is exposed.



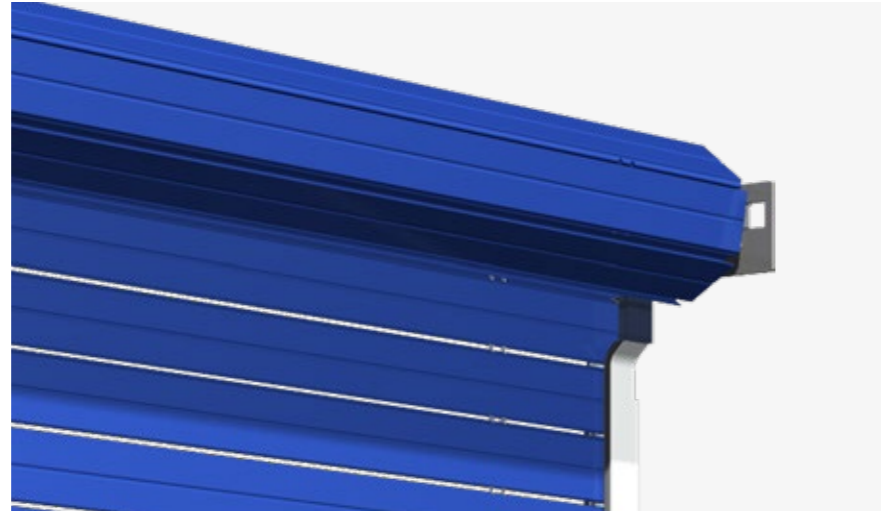
With soffit cover. In the case of a manual drive, 20 mm of the end rail under the header is exposed.

## Vertical section: Example with cover



In the case of a manual drive, 20 mm of the end rail under the header is exposed.

## BUILT-IN ROLLING SHUTTERS – INSTALLATION FIX



The Alucolor® Fix system is specially designed for small header dimensions. The bearings are securely connected to the guide rails.

### ALUCOLOR® FIX

- Slats 25 or 41 mm
- Automatic locking (option)
- Soffit cover (option)

### DIMENSIONS DEPENDING ON HEIGHT (25 MM SLAT)

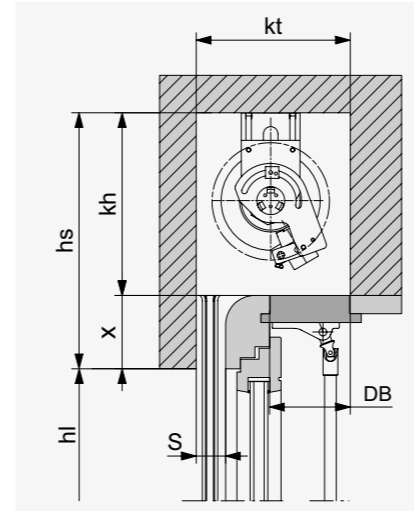
hl Fix	Minimum box depth (kt)	Minimum box height (kh)
1000	150	185
1250	160	185
1500	170	185
1750	180	185
2000	190	185
2250	195	190
2500	205	195

### DIMENSIONS DEPENDING ON HEIGHT (41 MM SLAT)

hl Fix	Minimum box depth (kt)	Minimum box height (kh)
1000	160	185
1250	170	185
1500	190	185
1750	190	185
2000	200	195
2250	215	205
2500	225	215

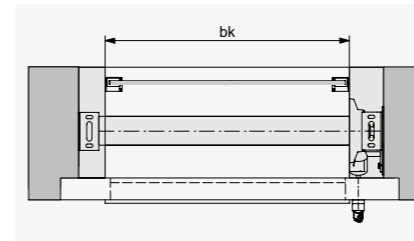
The height of the cover must be min. 30 mm greater than kh (depending on the situation).

## Vertical section: Example of header



In the case of a manual drive, 20 mm of the end rail under the header is exposed.

## Top section: Example of header



### KEY

- bk = Width of construction
  - hl = Opening height
  - hs = Header height
  - gh = Total height
  - kt = Depth of box
  - kh = Height of box
  - DB = Width of ceiling opening (min. 100 mm)
  - S = Width of slot: min. 40 mm; for rolling shutters of more than 2450 mm wide, min. 45 mm
  - X = Guide extension (min. 30, max. 200, standard 100)
- All dimensions in mm.

## BUILT-IN ROLLING SHUTTERS – INSTALLATION CONVENTIONAL



In the Alucolor® Conventional system, the bearings are fitted in the header.

### ALUCOLOR® CONVENTIONAL

Slats 25 or 41 mm

### DIMENSIONS DEPENDING ON HEIGHT (25 MM SLAT)

hl Conventional	Minimum box depth (kt) and height (kh)	
	(Tube ø 60 mm) bk ≤ 3500 mm and A ≤ 4,5 m²	(Tube ø 70 mm) bk > 3500 mm or A > 4.5 m²
1000	145	155
1250	155	165
1500	165	175
1750	175	185
2000	180	190
2250	190	200
2500	195	205
2750	205	215
3000	225	235
3500	240	250
4000	255	260

### DIMENSIONS DEPENDING ON HEIGHT (41 MM SLAT)

hl Conventional	Minimum box depth (kt) and height (kh)	
	(Tube ø 60 mm) bk ≤ 3500 mm and A ≤ 4,5 m²	(Tube ø 70 mm) bk > 3500 mm or A > 4.5 m²
1000	155	165
1250	160	170
1500	180	190
1750	185	195
2000	195	205
2250	205	215
2500	215	225
2750	225	235
3000	235	245
3500	250	260
4000	265	270

---

**LIMIT DIMENSIONS ALUCOLOR® FIX**

---

**bk Width of construction (rear edge of guide rails)**

Minimum	
crank drive	320
with spring shaft*	500
motor drive	750
Maximum	3000
with spring shaft*	2000
with normal sliding arm	2000
with lever sliding arm	2500

**hl Opening height**

Minimum	400
with sliding arm	1000
Maximum	2500

**bk × hl Maximum surface area**

Single rolling shutter	5.5 m <sup>2</sup>
with spring shaft*	3.5 m <sup>2</sup>
Connected Systems	
2 rolling shutters	6 m <sup>2</sup>

---

**LIMIT DIMENSIONS ALUCOLOR® CONVENTIONAL**

---

**bk Width of construction (rear edge of guide rails)**

Minimum	
crank drive	400
with spring shaft*	500
motor drive	750
Maximum	
slats 41 mm	4000
slats 25 mm	5000
with spring shaft*	2000
with normal sliding arm	2000
with lever sliding arm	2500

**hl Opening height**

Minimum	400
with sliding arm	1000
Maximum	4000
with spring shaft* / Sliding arm	2500

**bk × hl Maximum surface area**

Single rolling shutter	
slats 41 mm	9 m <sup>2</sup>
slats 25 mm	10 m <sup>2</sup>
with spring shaft*	3.5 m <sup>2</sup>
with sliding arm	6 m <sup>2</sup>
Connected Systems	
2 rolling shutters	9 m <sup>2</sup>

\* only with slats of 25 mm





**Your partner:**

Griesser solar shading - Quality since 1882.  
[www.griesser.com](http://www.griesser.com)