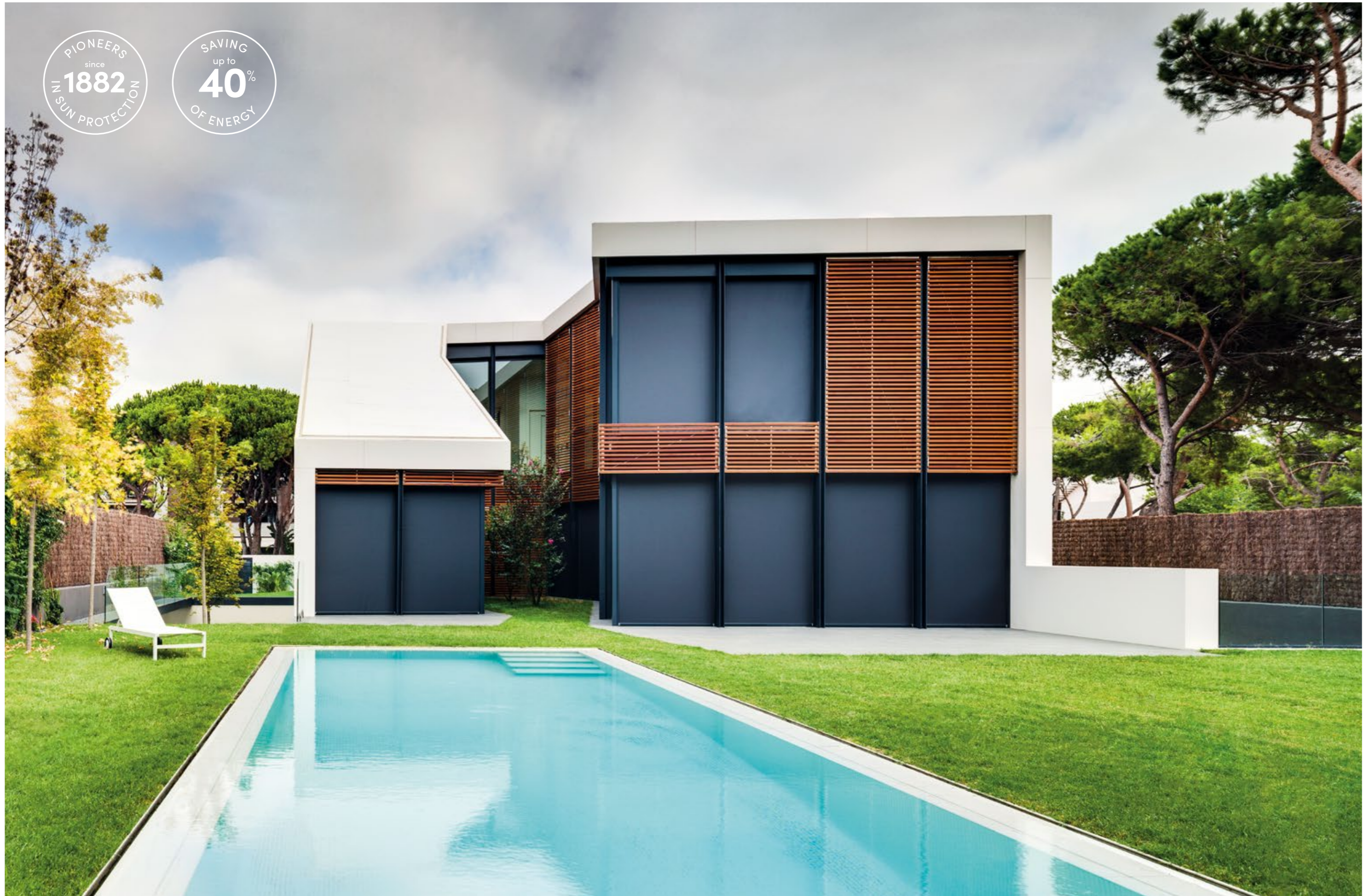


Solozip® Facade awnings.
Technology, options, applications.



PIONEERS
since
1882
IN SUN PROTECTION

SAVING
up to
40%
OF ENERGY





Solozip® Facade awnings.

The vertical awning with a zipper. The zipper, which is welded to the fabric, guides the fabric over the entire height along guide rails. With the fabric firmly in place, it is perfectly stretched and held securely. Solozip®: Provides a totally unobstructed view, you only see the fabric as it descends. The support and guide elements can be completely concealed in the facade, which removes anything that blocks the view of the outside.



The fabric of your dreams.

Griesser façade awnings are made of particularly high-quality fabrics. With these combinations you can satisfy all your desires: elegant design, natural or more colorful tones, high heat reflection or light control right up to darkness in rooms.

If you opt for a blackout fabric and a facade awning with a zipper system, you can plunge your room into total darkness. Thanks to the power to block out light, it is impossible even to see through it when it is closed. All our fabrics are dirt-repellent and have varying degrees of water-repellent properties.



Heat control.

When placed outside, Griesser facade awnings can retain up to 98% of the heat, which reduces the need for air conditioning, reduce electricity costs and save CO₂. In winter when the sun is shining, the protection system allows the sun's rays to penetrate rooms and protect against the cold at night, resulting in significant savings on energy bills. With intelligent control, this happens automatically.



Visual comfort.

Do you want to reduce the light in a room without being plunged into darkness? No problem! Adjust the height of the facade awning to the most comfortable level letting the light in while protecting yourself from prying eyes. From the inside, you continue to see the outside perfectly.



Unobstructed views.

How well you can see out will depend on the openness factor. Griesser offers a wide selection of top-quality awning fabrics to meet every need.



Almost total darkening.

With a blackout blind and a Zip-system awning, you can darken your room almost completely.

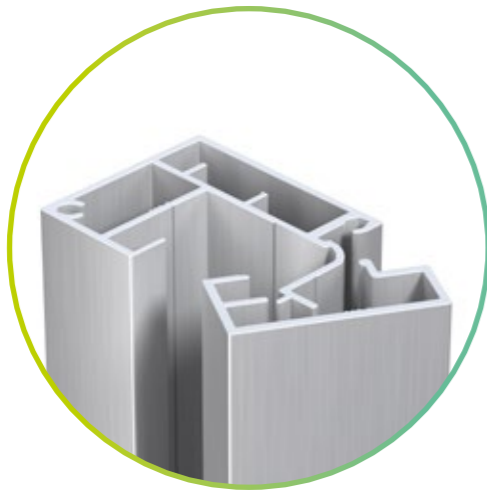


Wind resistance.

All our products are tested in the largest sizes under multiple winds to determine their strength. Therefore, depending on the product and the manufacturing characteristics, different levels of wind stability can be provided. Furthermore, wind tests conducted independently by the Saint-Cyr Aerotechnical Institute proved that the Solozip® facade awning, measuring 2000 x 2000 mm, can withstand winds of up to 140 km/h.

Technical highlights.

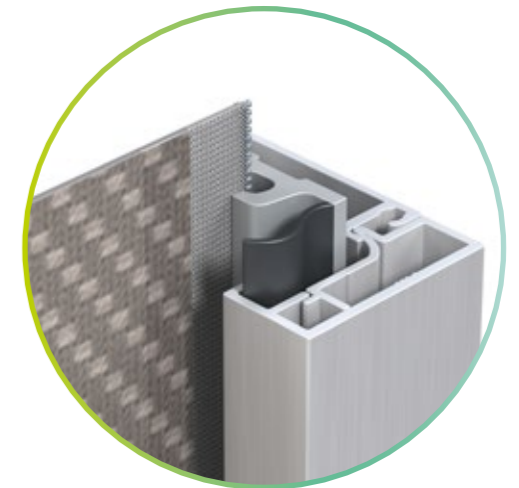
The zipper closure is welded onto the fabric (Zip), guiding the material into the elegant and discrete covered guides all along the entire height – and holding it securely. This cleverly designed Zip-system also works for large surfaces and gives added resistance in wind or bad weather. The Solozip® even withstands winds of up to 92 km/h.



1 Guides without visible screws.
Homogeneous and single-colored surface.



3 Hinged access panel.
No unnecessary dismantling and thus faster servicing.



2 Wind-resistant zipper system.
The fabric is guided at the full height of the awning, making it highly wind resistant.



4 Sand in the bottom rail.
These are often made of steel to weigh them down. At Griesser, though, we fill them with ecofriendly sand instead.

Installation locations.

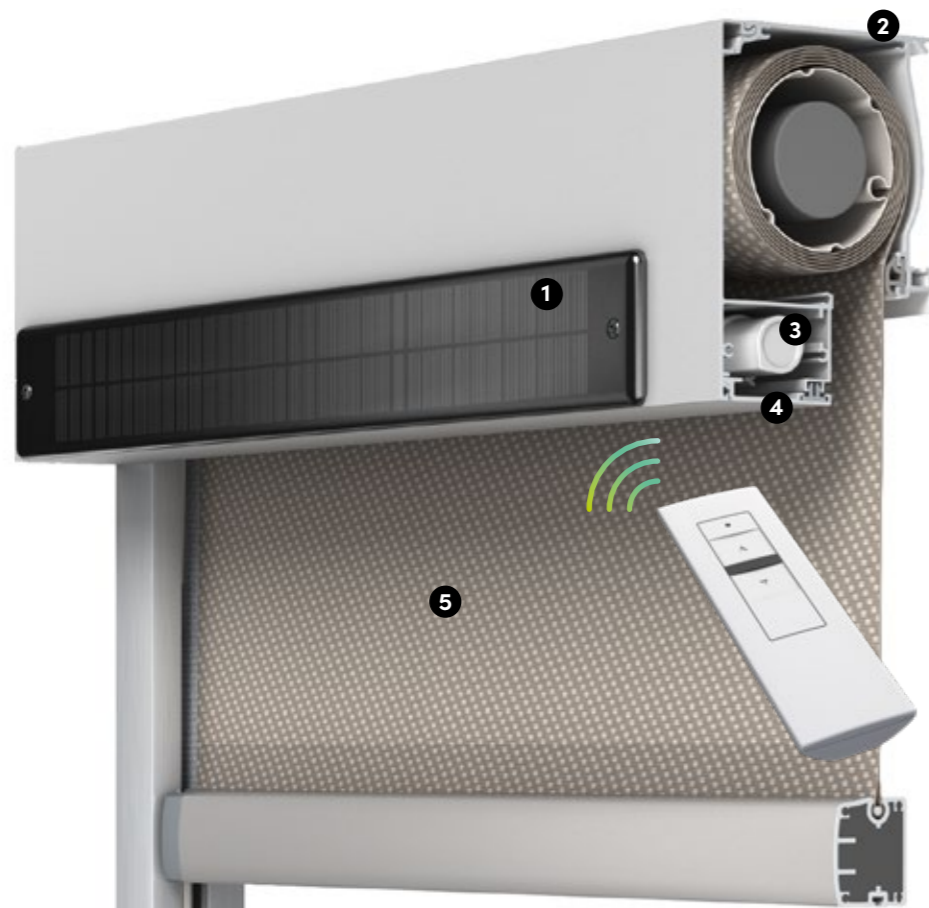
Solozip® is a highly versatile system that can be installed in a wide range of construction contexts and will fit perfectly into virtually any facade.



- 1 Solozip® Box square.**
With appropriate bracketing, Solozip® products can be installed directly onto (and slightly protruding from) the facade.
- 2 Solozip® Box square.**
For the installation in the header niche.
- 3 Solozip® Intro.**
Can be mounted completely concealed in the upper part of the header niche.
- 4 Solozip® Box Design.**
With appropriate bracketing, Solozip® products can be installed directly onto (and slightly protruding from) the facade.
- 5 Solozip® Box Design.**
For the installation in the header niche.
- 6 Solozip® Box Solar.**
For the installation in the header niche.
- 7 Solozip® Intro with recessed guide rails.**
Can be mounted so that only the fabric is visible (complete window front with a clear view).

Solozip® Solar.

The solar power kit is a fully pre-wired system which uses solar energy to comfortably open and close the awnings.



- 1 Solar module.**
Thanks to the high-performance photovoltaic panel, the product can also be used in places with little sunlight, such as north-facing windows.
- 2 Box.**
The awning box deftly blends aesthetic aspirations with functional needs, and securely accommodates the system's motor, battery and wiring connections.
- 3 Battery life.**
At least 30 days* without sunshine.
*two open-and-close cycles a day
- 4 Access panel.**
Easy battery access.
- 5 Facade awning.**
A wide range of awning fabric options are available to meet all tastes and needs.

- Quick, easy and neat installation on the outside of the facade, leaving the interior free.
- Installation requires no drilling into windows or walls, avoiding the creation of thermal bridges.
- Motor-powered awnings can also be installed away from any mains power source.
- No further wiring required: the solar power kit comprises the motor, battery and solar panel, and is fully pre-wired. Just connect the battery to the motor using the plug provided.
- No additional consumption of home mains power.

Variants.

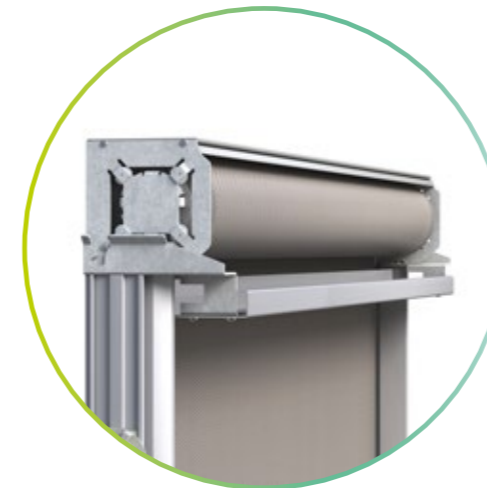
Solozip® is available in different variants, which means that it can be optimally customized to your needs.



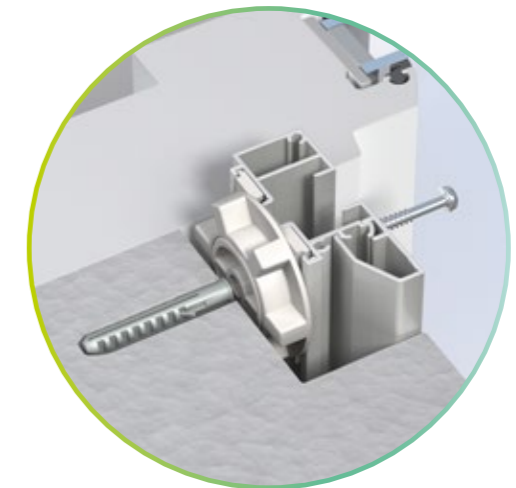
- Solozip® Box square.**
- Two different dimensions are possible: 100 mm and 130 mm.



- Solozip® Box Design.**
- Two different dimensions are possible: 100 mm and 130 mm.



- Solozip® Intro.**
- Three variants are possible: 95, 100 and 130 mm with different soffit covers.
 - This means that the lintel niche can be individually covered from below.



- Easy to install – worry-free.**
- The innovative construction and the ease of adjusting the vertical recessed guides guarantee perfect guide adjustment, thus ensuring a simple and correct installation.

The all-round feelgood package for your living and working space.

Discover the Griesser Smart Home and Smart Building controls. With their intelligent network credentials, these systems also offer open interfaces to outside products. Interconnected technology for optimum room comfort. Explore Griesser's unique trio of comfort dimensions.

⊕ Griesser's control solutions provide thermal and visual comfort and optimum privacy protection, all to ensure an ultimate feelgood living and working experience.

Visual comfort.

Griesser's Smart Home system gives you absolute control over the light coming into your home. Smart Home eliminates uncomfortable glare while simultaneously ensuring optimum light volumes – as much or as little light as you wish.

Thermal comfort.

Automatically operated solar shading maintains an optimum room ambience all year round. The system not only perfectly regulates inside temperatures: it lowers the need for heating and cooling, too. That saves energy to deliver a truly winning combination of feelgood comfort with strong sustainable credentials.

Protective comfort.

Griesser's Smart Home system does not just deliver welcome physical comfort: it provides reassuring protection of your personal privacy, too. So you can enjoy all the coziness of your own four walls free of prying eyes. Safe, secure and undisturbed: Smart Home offers it all.

Griesser Smart Home.

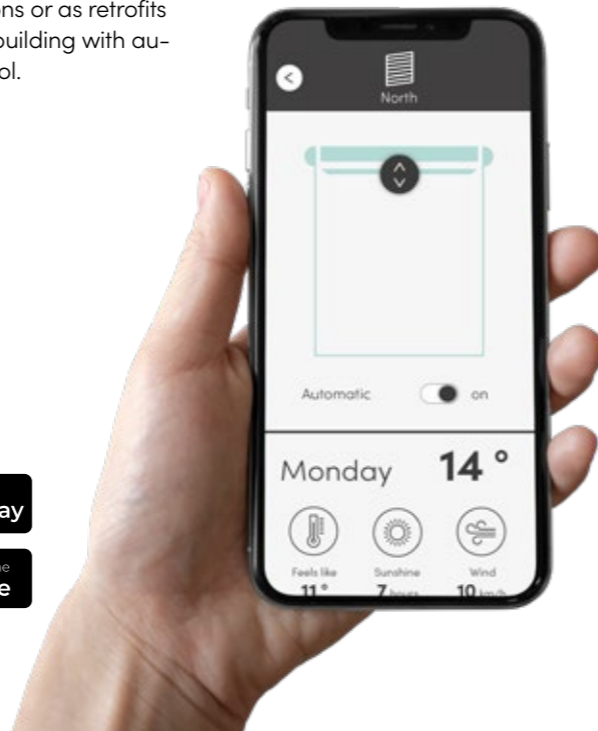
With its solar shading models, weather sensors, receivers and apps, Griesser has a wide range of systems to help you reliably network your solar shading facilities. And with their perfect interconnections, we'll provide you with a solar shading solution that is ideally tailored to your particular wishes and needs.

KNX house and building automation. (not compatible with the solar motor.)

Griesser's KNX solar shading control option is an integrated master control system that boasts a broad range of functions to serve buildings of every size. With their tried-and-trusted features such as solar tracking and horizon limitation, KNX systems meet the highest demands of any solar shading controls.

BiLine radio control.

Griesser's BiLine control system blends contemporary design with high functional reliability through its routing technology. Radio control systems offer the key advantage of being easy to install, be it in new constructions or as retrofits to provide an existing building with automated systems control.



Live more sustainably. Save energy.



Visual comfort.
Visual privacy, glare protection and daylight regulation.



Thermal comfort.
An ideal indoor climate and high energy efficiency.



Protective comfort.
For greater privacy and seclusion.

Colors and fabrics of top quality and variety.

Griesser cultivates strong partnerships with leading textile manufacturers that specialize in the production of high-quality fabrics.

The Griesser awning collections also extend to various further fabric options such as fiberglass with PVC, polyester with PVC, acrylics and fabrics with woven-in hemp fibers.



The Griesser awning collections offer numerous patterns and options to meet your particular tastes and needs.

Technical fabric collection.

Transparency of 0–4%

The technical fabric collection by Mermet offers a broad selection of decorative fabrics for both external and interior applications. One particularly striking feature of these fabrics is their unusual pattern designs, which give the material its own special touch. With the fabrics' varying degrees of transparency all the way up to total blackout, customers are sure to find the right material for their solar shading needs. And the colorful latticed fabrics of the Satiné 5500 and Satiné 21154 line are particularly good at making and keeping any room pleasantly bright.

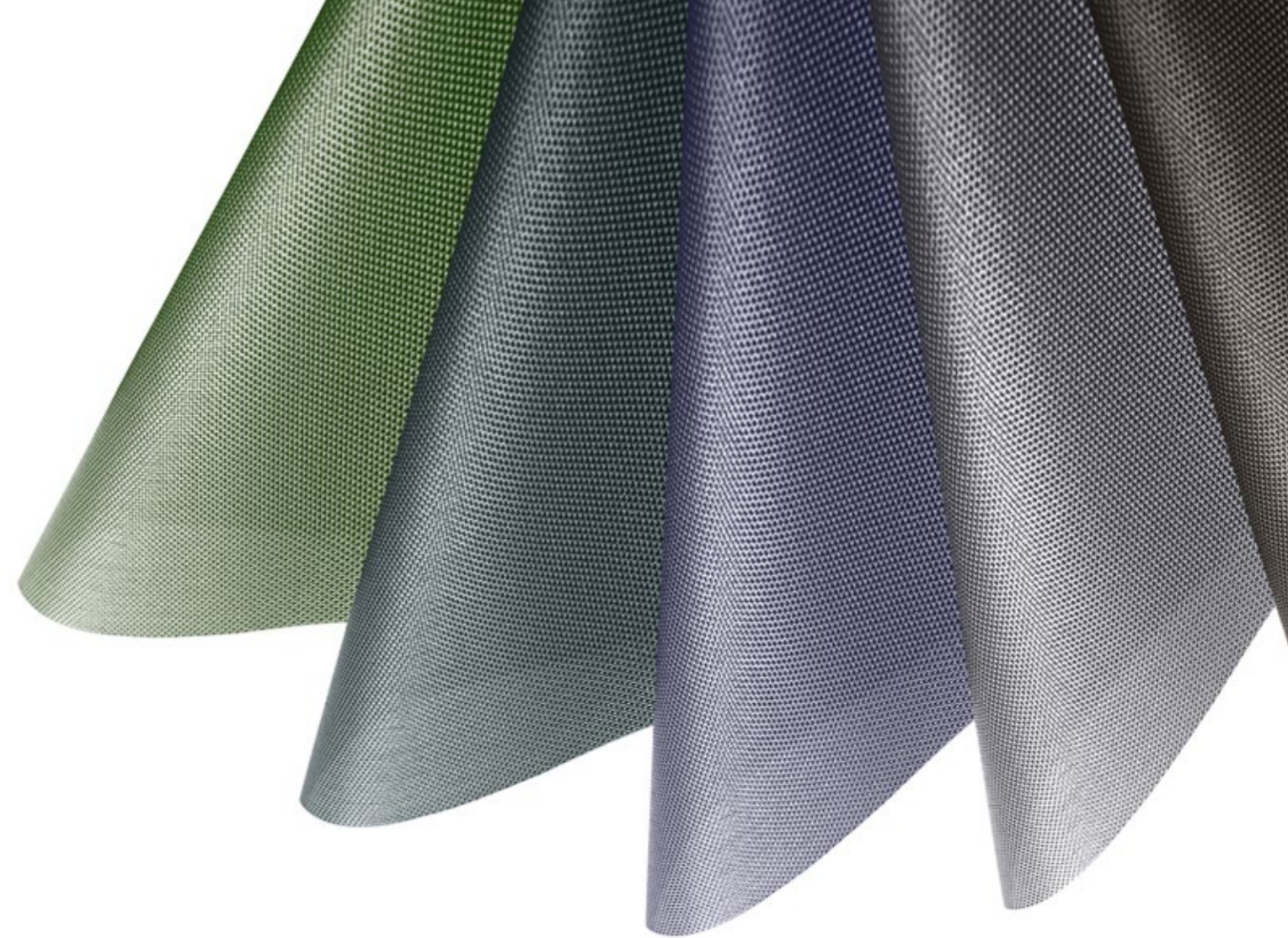
Technical fabric collection.

Transparency of 0–14%

The technical fabric collection Serge Ferrari features a wide range of technical fabrics in colors to suit every taste. The collection offers various fabrics for use as facade awnings or for internal solar shading, depending on wishes and needs: latticed fabrics for solar and glare protection in natural light, or lightproof fabrics such as Soltis Opaque for rooms that need to be completely darkened.

MERMET

Serge Ferrari



Collection Acryl Emotion.

Griesser's Collection Acryl Emotion is the product of innovative creative flair and the long-standing technical expertise of leading fabric manufacturers. Drawing its inspiration from architectural trends and the latest home interior directions, the collection extends to 50 selected patterns. Smooth or textured, monochrome or patterned, the awning cloths of Collection Acryl Emotion are not just eye-catching on any facade: they're all made of outstanding fabric with textile credentials and a truly pleasant feel. The collection includes timeless popular and fashionable designs in acrylic fabrics, all carefully selected to provide awnings of genuine character.

TEMPOTEST
ITALIAN PERFORMANCE FABRICS

SATTLER

A wide range of colors for metal components.

Awning guides and boxes are available in more than 150 standard colors* to ensure perfect harmony with any facade. Non-standard colors can also be provided: our specialists will be pleased to meet your individual wishes. New colors are being added every year, too – mirroring the latest trends and setting our own.

*RAL, NCS, VSR, IGP, AkzoNobel

Solozip® dimensions.

Maximum sizes by fabric type.

Fabric collection	Solozip® Intro 95				
	Width (bk)		Height (gh)		Surface* (m ²)
	min.	max.	min.	max.	
Satiné 5500, Satiné 21154 ¹ , Soltis 7635	555	3500	500	3000	10.5
Soltis 86, 92 ¹ , Acryl					
Soltis B92					
Soltis Veozip				2400	8.4

Fabric collection	Solozip® Intro 100					Solozip® Box 100				
	Width (bk)		Height (gh)		Surface* (m ²)	Width (bk)		Height (gh)		Surface* (m ²)
	min.	max.	min.	max.		min.	max.	min.	max.	
Satiné 5500, Satiné 21154 ¹ , Soltis 7635	555	4000	500	3000	12	550	4000	500	3000	12
Soltis 86, 92 ¹ , Acryl										
Soltis B92										
Soltis Veozip				2400	9.6				2400	9.6

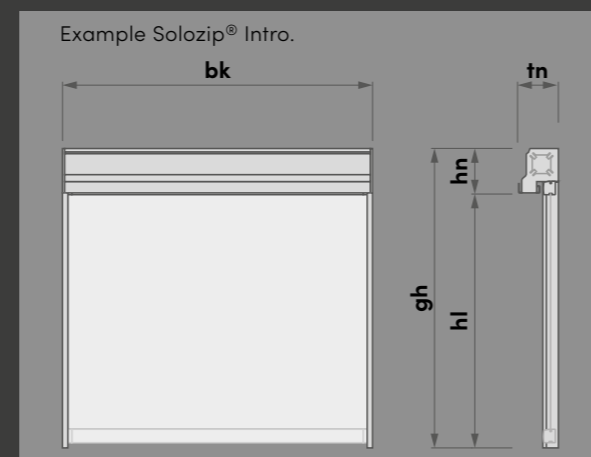
Fabric collection	Solozip® Intro 130					Solozip® Box 130				
	Width (bk)		Height (gh)		Surface* (m ²)	Width (bk)		Height (gh)		Surface* (m ²)
	min.	max.	min.	max.		min.	max.	min.	max.	
Satiné 5500, Satiné 21154 ¹ , Soltis 7635	600	6000	500	6000	18	600	6000	500	6000	18
Soltis 86, 92 ¹ , Acryl		4500		5000			4500		5000	
Soltis B92		4000					4000			
Soltis Veozip		4500		4900		4500		4900		

¹ Canvas only available in the EU area.

² With recessed guide rails (CS).

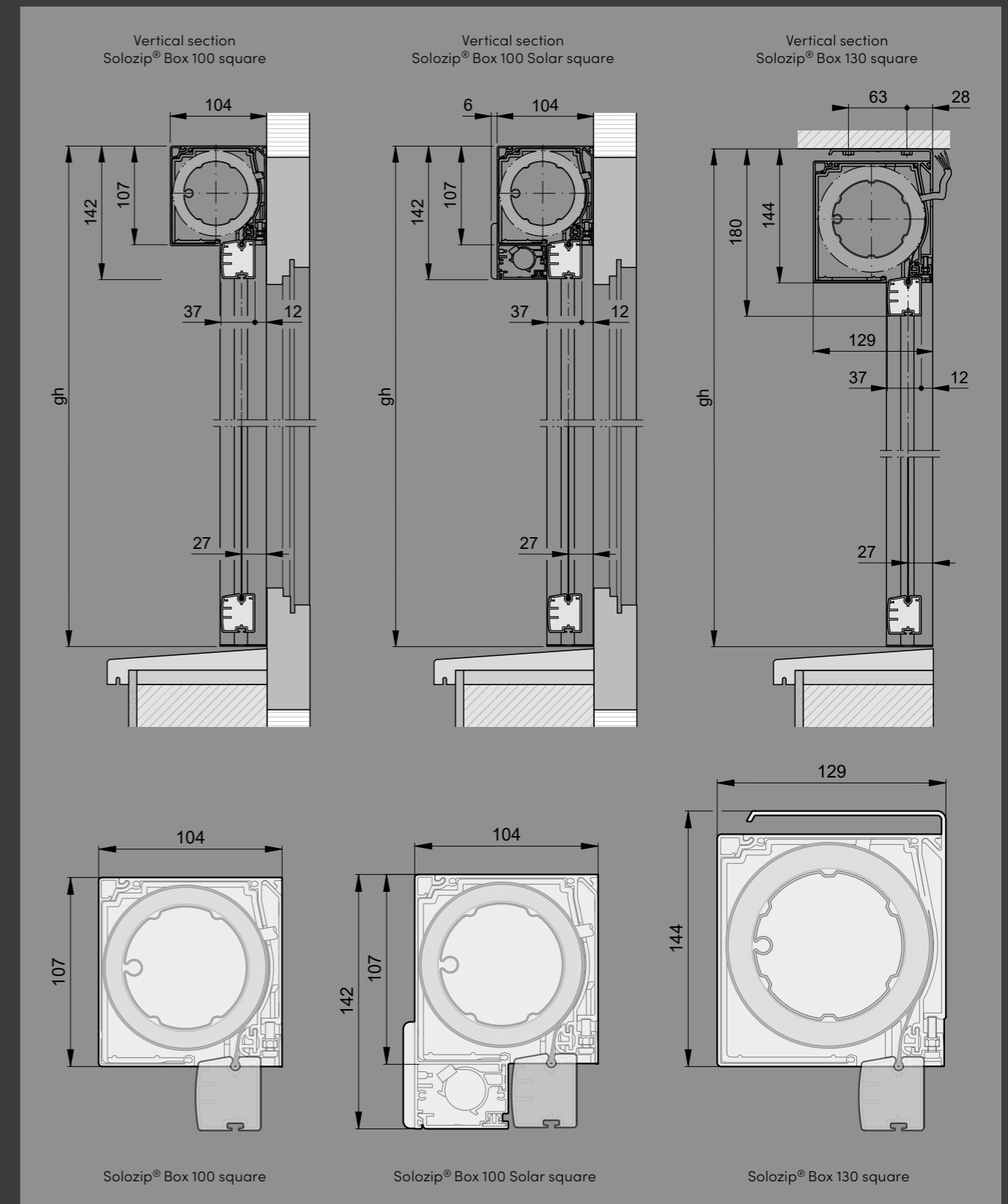
* The height-width ratio may not exceed 5 (gh / bk ≤ 5).

Niche dimensions	Solozip® Intro		
	95	100	130
Minimum niche depth (tn)	100	130	155
Minimum niche height (hn)	150	162	180



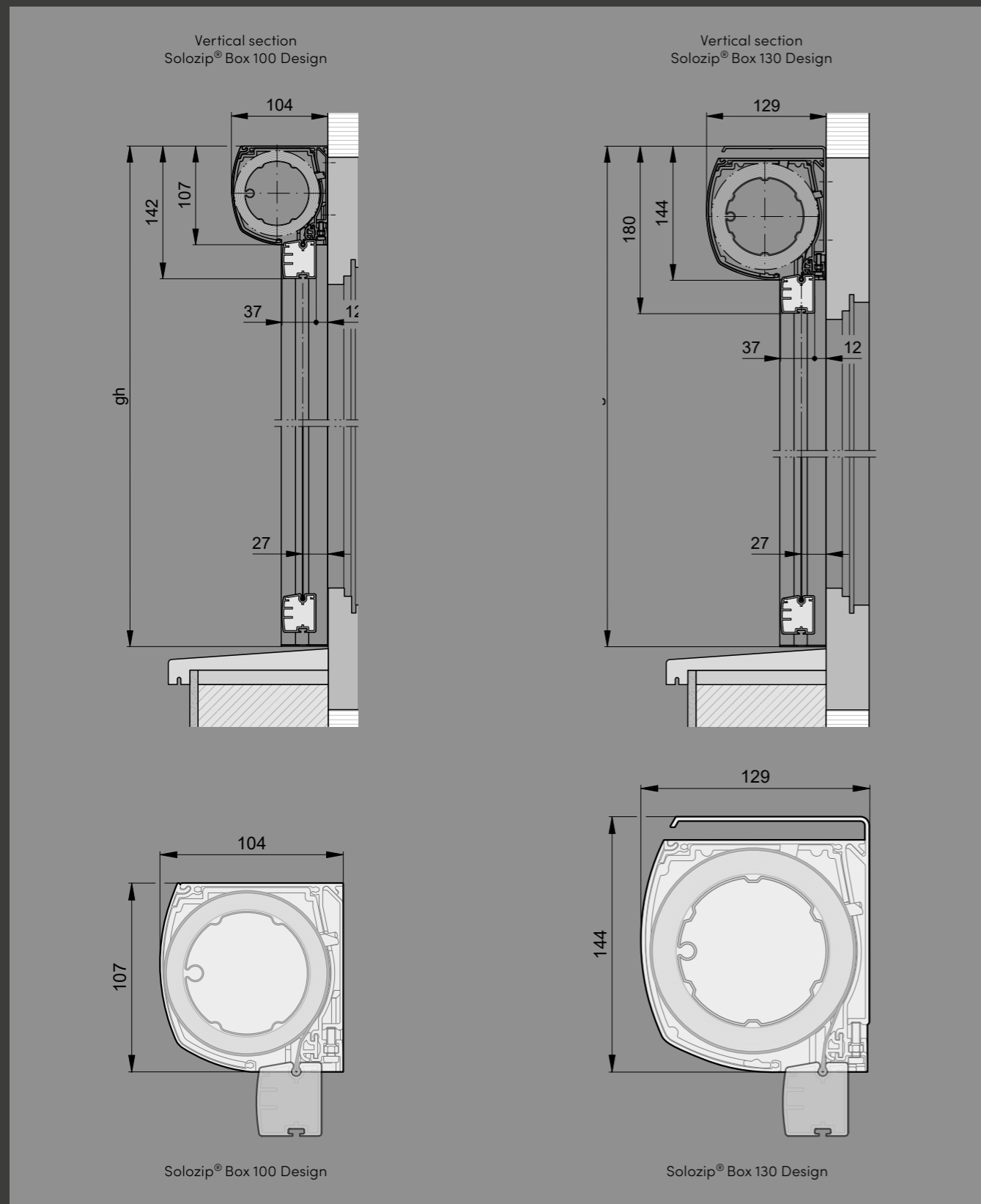
Solozip® dimensions Box square.

Technical details.



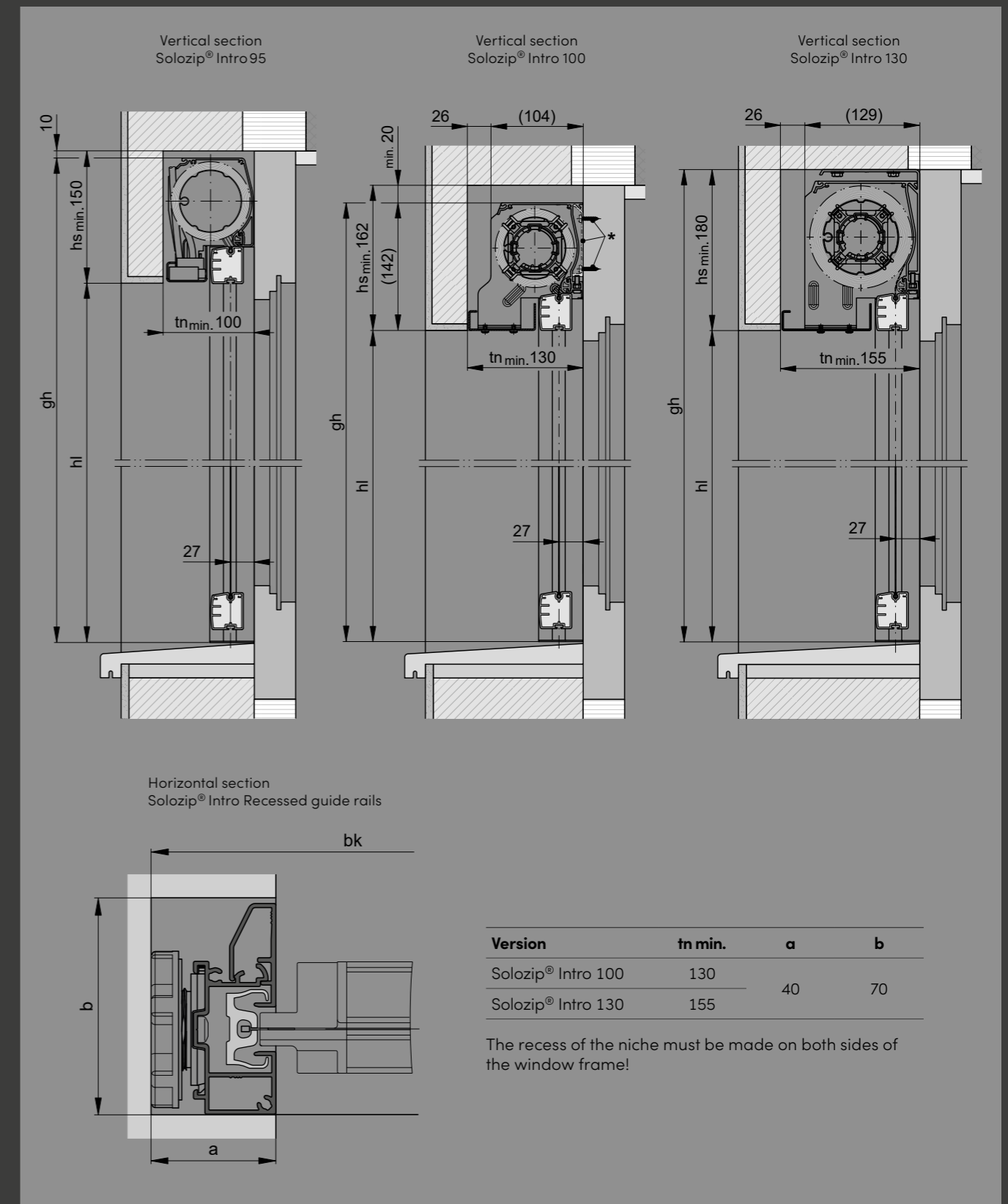
Solozip® dimensions Box Design.

Technical details.



Solozip® dimensions Intro.

Technical details.



Product variants.

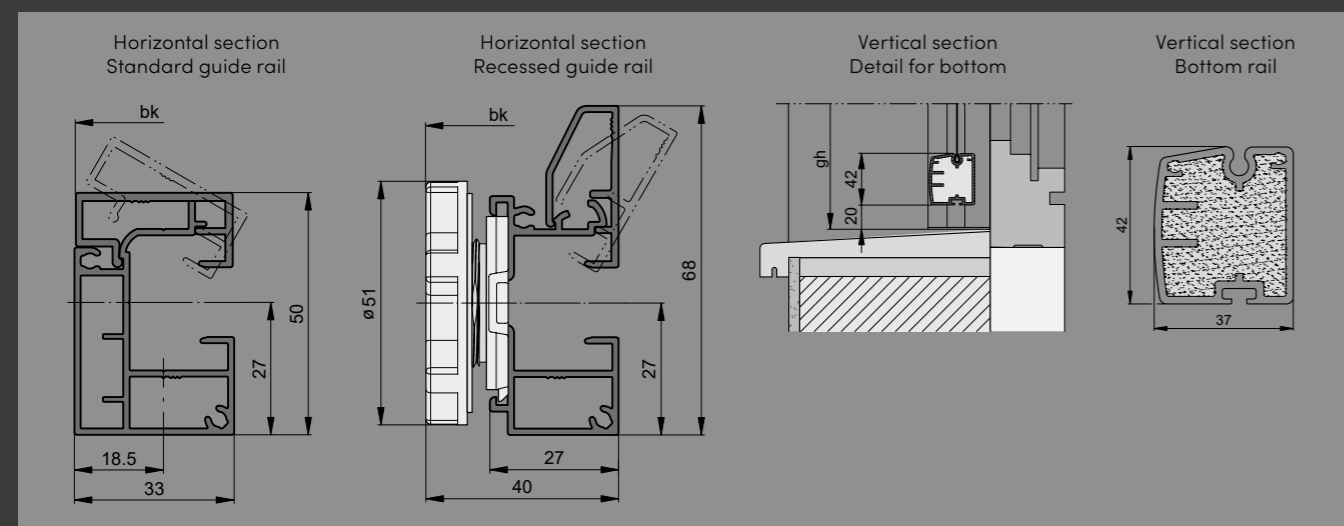
Installation situation.

	Solozip® Intro			Solozip® Box (square)		Solozip® Box Design	
Type	95	100	130	100	130	100	130
Mounting location							
in lintel niche	■	■	■	-	-	-	-
under lintel	-	-	-	■	■	■	■
on facade	-	-	-	■	■	■	■

Type of guide.

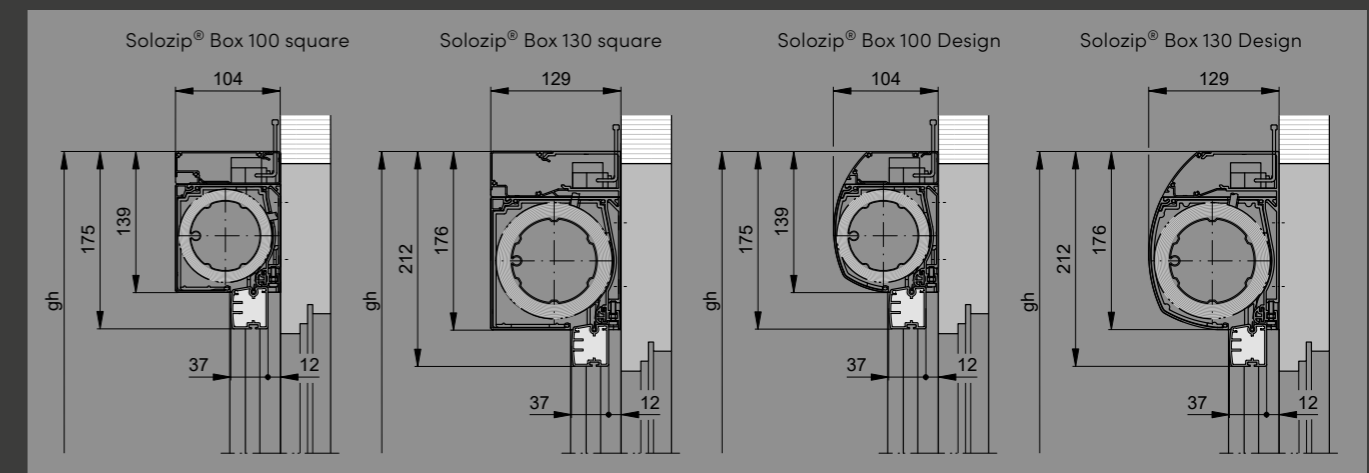
Solozip®	Standard guide rail	Recessed guide rail
Intro 95	■	-
Intro 100, 130	■	■
Box 100, 130	■	-

Detailed sections.



Product options.

Profile Hirschmann.



Soffit covers.

Solozip®	Soffit cover (b)		for headers (tn)		Width (bk)	Number of parts soffit cover
Intro 95	45	100			≤ 3500	1
	55	110				
	65	120				
Intro 100	75	130			> 3500	2
	85	140				
	95	150				
Intro 130	100	155				
	110	165				
	120	175				

Operation.

Drive (motor or crank)	Without radio		Radio simple	Radio bidirectional	Crank drive
	mechanical	electronic			
Elero	-	-	-	BiLine	-
Somfy	-	-	-	IO	-
Simu	-	■ ¹	Hz	-	-

¹ With Combio, BiLine is possible.

■ possible - not possible

Automation.

Smart Home		Smart Building	
Griesser BiLine	KNX	KNX	gBUS

Compatible with further controls: on request.

Wind categories.

Solozip®.

Product	Permissible wind resistance category thresholds ¹								
Width (mm)	1500	2000	2500	3000	3500	4000	4500	5000	6000
Solozip® with zip guide rails	6	6	6	6	5	5	5	4	4

¹ Tests based on EN 13659 product norm. Product limit dimensions as per data sheet.

Setting values for sensors according to manufacturer.

Category 0	Category 1	Category 2	Category 3	Category 4	Category 5	Category 6
<7.8 m/s	7.8 m/s	10.8 m/s	13.3 m/s	16.7 m/s	21.0 m/s	25.6 m/s
<28 km/h	28 km/h	38 km/h	48 km/h	60 km/h	76 km/h	92 km/h

Setting for wind sensors if installed on the product.

Corrosion classes.

Solozip®.

Product	Corrosion class
Solozip®	4

Tests and evaluations:

Salt spray tests conducted in accordance with ISO 9227.

Visual inspections performed in accordance with EN 1670.

Corrosion classes as per EN 13659:2015.

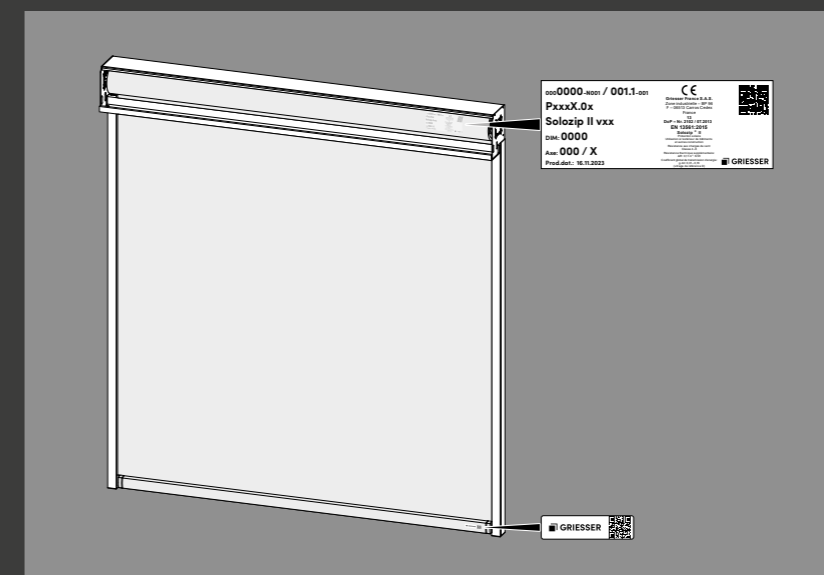
Corrosion class	Corrosion class	Applications	Length of testing
1	Little resistance	Indoors in dry environments	24 h
2	Moderate resistance	Indoors in environments where condensation may occur	48 h
3	High resistance	Outdoors where damp, rain or dew may occasionally or frequently occur	96 h
4	Very high resistance	Outdoors in very tough conditions	240 h

Fire protection categories.

Solozip®.

Product group	Facade awnings		
Example	Solozip®		
Blind/shutter material	Screen	Soltis	Acryl
Swiss VKF flammability group	RF2 cr	RF2	-
Swiss VKF fire index number	-	5.3	-
Fire protection category France	M1	M1	-
EU fire performance class under EN13501-1	C-s3 d0	B-s2 d0	-

Product identification.



Griesser products are labelled with an individual QR code. Scanning this QR code provides a wealth of information and services.

Further information.



Total energy transmittance



Short Manual Facade awnings



Inspired by the **Sun.**



griesser.com

