

 **GRIESSER**

**Rolling shutters from Griesser.**  
Minicolor®



## Minicolor®

The Minicolor® built-in rolling shutters can be installed in new constructions as well as in existing rolling shutter boxes or headers for remodel or renovation projects. With foam noise insulation around the 37 mm slats, as well as optional security protection against intruders, the shutters assure a quiet night's sleep. And, thanks to slats featuring air-and-light slots or the use of an optional opening mechanism, there is a steady flow of fresh air.



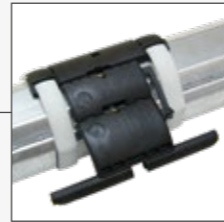
Foam-filled slats 37 mm



Installation Fix



Installation Conventional



Automatic locking with system Fix (option)



Adjustable Fix bearing



Guide rail

### Product-Highlights Minicolor®

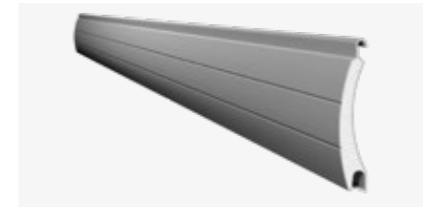


Manual closure (option)



Sliding arm (option)

### PRODUCT ADVANTAGES IN DETAIL



#### Rolling shutter curtain

The slightly cambered 37 mm slats in the Minicolor® are foam-packed with environmentally friendly and CFC-free polyurethane, which protects the environment. The Minicolor® curtain standardly comes with air-and-light slots (except for spring shaft drive).



#### Adjustable fixed bearing

The adjustable fixed bearing permits vertical and horizontal adjustment of the roller and of the curtain at the construction site.



#### Guide rails

21×30 mm, 23×31 oder 23×36 mm made of extruded aluminum with weather-proof, noise-absorbing inserts. The slot holes ensure flexible, correct fastening of the guide rails to the masonry.



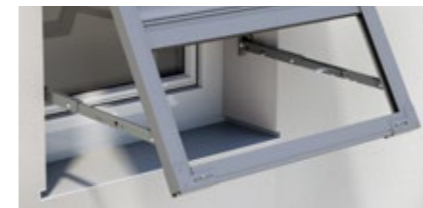
#### Safety locking device with automatic locking (option)

Special mechanics automatically prevent the curtain from being pushed upwards. The automatic locking is available for both Fix and conventional installation systems.



#### End rail with manual bolt (option)

End rail of extruded aluminum with manual bolt protect against upward pushing when the curtain is closed. The manual bolt is not available for motorized versions.



#### Sliding arm (option)

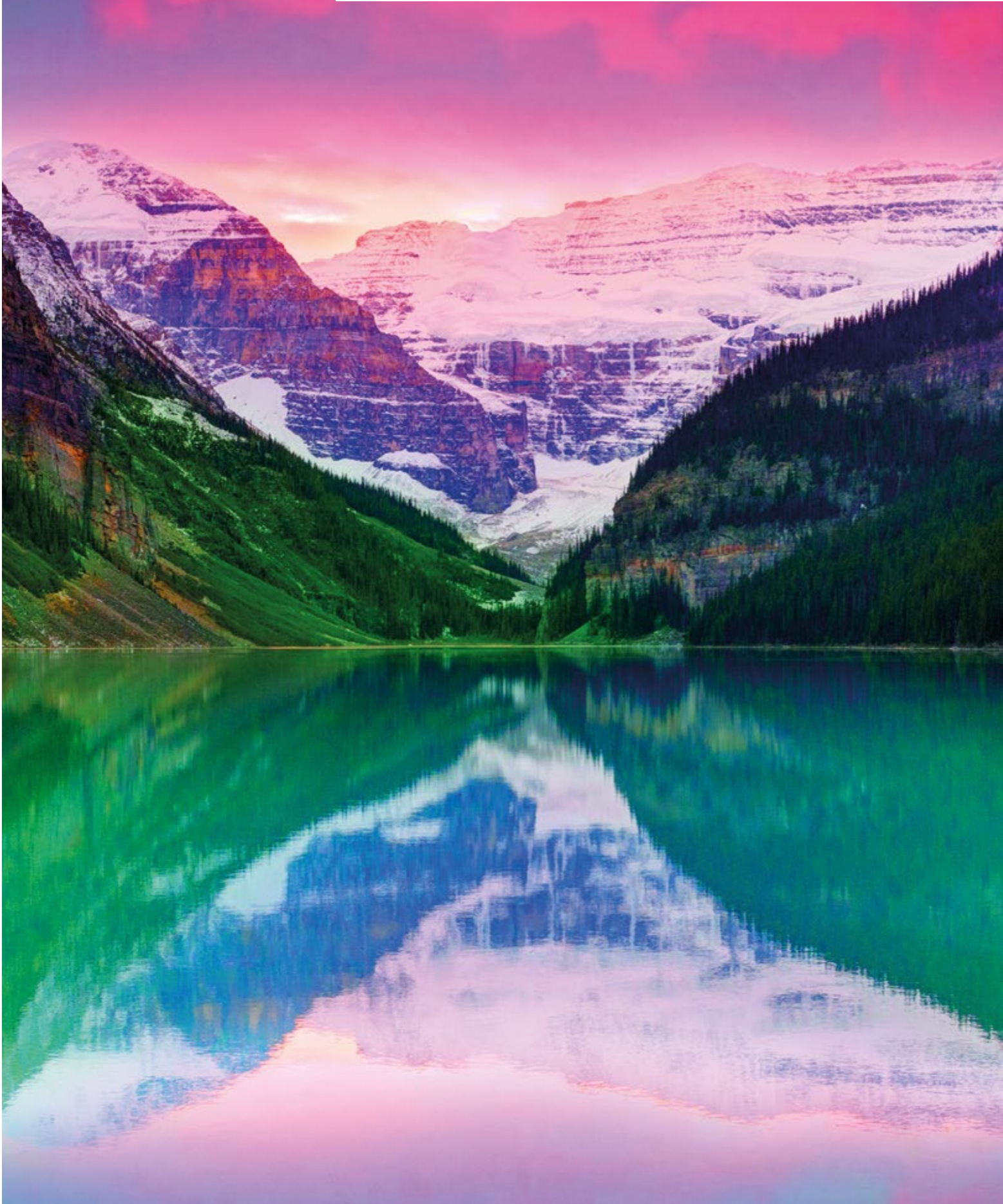
The sliding arm ensures better viewing and air circulation when the curtain is closed. The sliding arm is not available for motorized versions.



#### Installation system

We offer the Minicolor® in two different installation versions. One for the Fix design and one for the Conventional version.

# Our color scheme



## OUR COLORS

Our collection offers a varied selection. We're convinced that there is something for every taste.

## COLORS

			Rahmen- elemente		
			Endschiene, Führungen	DP 37	
VSR-010	NCS S 0502-B	White		●	●
VSR-901	NCS S 0502-Y	Pure white		●	●
VSR-130	NCS S 3000-N	Gray		●	●
VSR-140	RAL-9006	Aluminium		●	●
VSR-907	RAL-9007	Aluminum gray		●	●
VSR-904	NCS S 1502-G	Light gray		●	●
VSR-240	NCS S 2010-Y30R	Light beige		●	●
VSR-909	NCS S 2020-G90Y	Green beige		●	●
VSR-110	NCS S 4010-Y50R	Beige		●	●
VSR-780		Bronze		●	●
VSR-903	NCS S 4030-R90B	Dove blue		●	●
VSR-440	NCS S 5040-B	Azure blue		●	●
VSR-906	RAL-5002	Ultramarine blue		●	●
	RAL-7016	Anthracite gray		●	●
VSR-050		Pastel blue		●	●
VSR-908	NCS-S 3040-B40G	Turquoise blue		●	●
VSR-080		Pale green		●	●
	RAL-6025	Fern green		●	●
VSR-220	NCS S 7020-B90G	Moss green		●	●
VSR-071	NCS-S 8010-Y50R	Brown		●	●
VSR-720	NCS-S 1080-Y20R	Chrome yellow		●	●
	RAL-3012	Beige red		●	●
VSR-120	NCS-S 3560-Y80R	Terracotta		●	●
VSR-330	NCS-S 3560-R	Purple red		●	●
	RAL-4004	Bordeaux violet		●	●
G 23	NCS S 1010-Y10R	Cream		●	●
G 84	Imitation Golden Oak	Golden Oak		●	●

## Our comfort



### CONTROLS

Minicolor® can be operated through a variety of control systems, from a simple hand-held transmitter to a master control or a building management system, depending on the time, position of the sun and the weather.

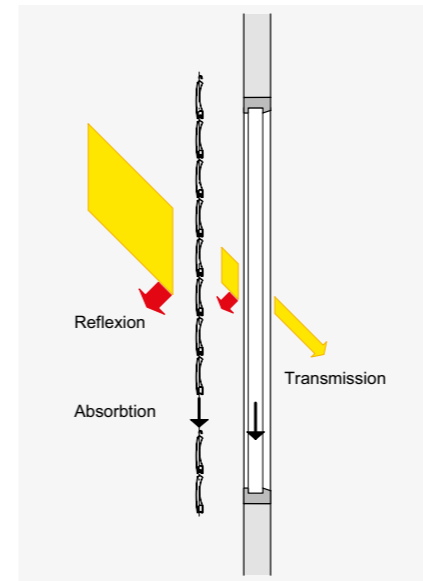
#### Thermal comfort

The ambient conditions change over the course of the day and during the seasons. With a blinds control device from Griesser, you can adjust your solar shading to match your personal requirements in accordance with changing exterior circumstances. And making these adjustments is so simple that you will still have time to take care of the important things in your life.

An optimal daylight concept makes artificial air conditioning superfluous in the summer. You save energy costs and may well also avoid one or another unwanted summer cold. In the winter, on the other hand, a solar shading system can protect you against cold and allow the scarce rays of the sun into the room, thus saving once again on energy costs, not to mention facial tissues.

#### Visual comfort

Having a sense of well-being also means being able to decide for oneself, particularly within one's own four walls, just how much one wants to reveal to the outside world. With Minicolor®, you are sheltered from uninvited glances from the outside world.



BiLine hand-held transmitter

#### BILINE - REMOTE CONTROL

The control system Griesser BiLine provides contemporary design and high functional security through routing technology. Wireless systems have the advantage of being installed quickly, not only in new buildings but also when refitting an automated system in existing buildings.



Simu hand-held transmitter

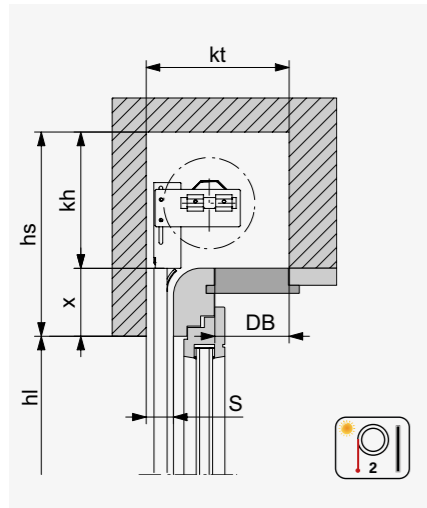
#### SIMU - REMOTE CONTROL

The remote control system Simu is the compact solution without having to miss out on the convenience of a remote control system. The modern shape of the hand-held transmitter rests easily in the hand and is easy to operate.

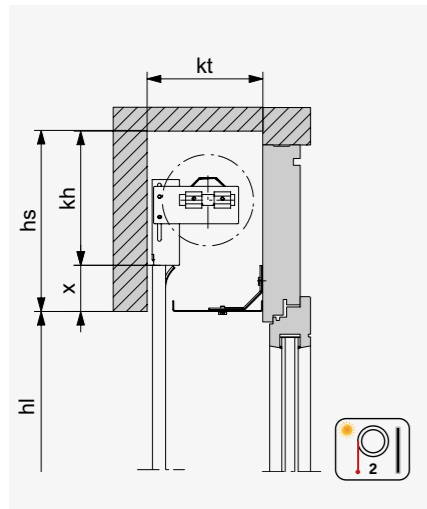


# Technology in detail

## Vertical section: Example of header

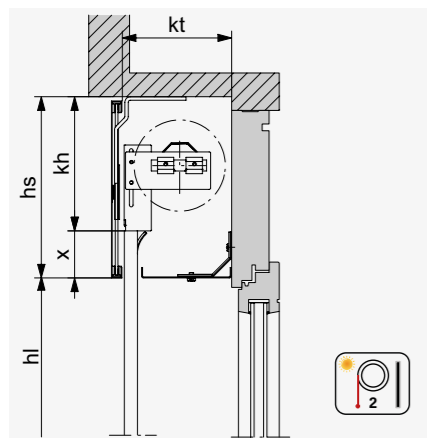


In the case of a manual drive, 20 mm of the end rail under the header is exposed.



With soffit cover. In the case of a manual drive, 20 mm of the end rail under the header is exposed.

## Vertical section: Example with cover



In the case of a manual drive, 20 mm of the end rail under the header is exposed.

## BUILT-IN ROLLING SHUTTERS – INSTALLATION FIX



### DIMENSIONS OF THE NICHE DEPENDING ON HEIGHT

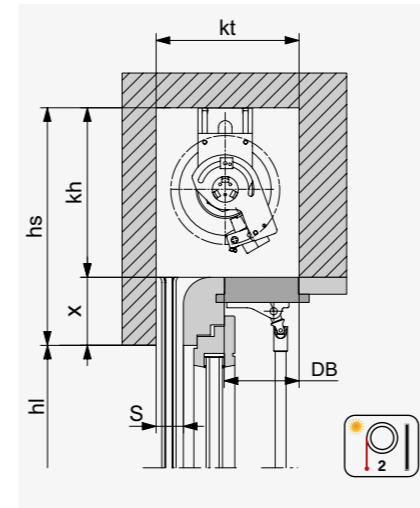
#### Alu-slat DP37

Height hl	Box depth min. (kt) = Box height min. (kh)	
		Automatic locking (option)
1100	140	140
1300	145	150
1500	150	160
1700	160	175
1900	170	180
2100	180	180
2300	185	185
2500	190	190
3000	195	195
<b>Standard: Octagonal steel shaft</b>		ø 60 mm
	ø 60 mm	ø 60 mm

The Minicolor® Fix system is specially designed for small header dimensions. The bearings are securely connected to the guide rails.

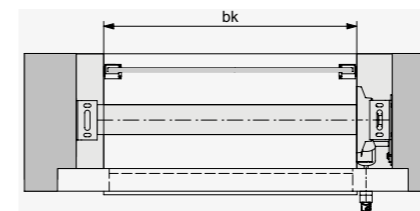
The height of the cover must be min. 30 mm greater than kh (depending on the situation).

## Vertical section: Example of header



In the case of a manual drive, 20 mm of the end rail under the header is exposed.

## Top section: Example of header



## BUILT-IN ROLLING SHUTTERS – INSTALLATION CONVENTIONAL



### DIMENSIONS OF THE NICHE DEPENDING ON HEIGHT

#### Alu-slat DP37

Height hl	Box depth (kt) = Box height (kh)	
		Standard: Octagonal steel shaft
1100	140	ø 60 mm
1300	145	
1500	150	
1700	160	
1900	170	
2100	180	
2300	185	
2500	190	
3000	195	

In the Minicolor® Conventional system, the bearings are fitted in the header.

### KEY

- bk = Width of construction
- hl = Opening height
- hs = Header height
- kt = Depth of box
- kh = Height of box
- All dimensions in mm.



Endrail with manual bolt  
(Option)

### LIMIT DIMENSIONS MINICOLOR® FIX

#### Alu-slat DP37 / Guide 20x30

	bk min.	bk max.	hl min.	hl max.	A max. <sup>1)</sup>
Crank	400	2500	400	3000	5.5 m <sup>2</sup>
Spring shaft <sup>2)</sup>	600	2000	400	2500	3.5 m <sup>2</sup>
Motor	740	2500	400	3000	5.5 m <sup>2</sup>
Wireless motor	840	2500	400	3000	5.5 m <sup>2</sup>
Sliding arms	400	2000	1000	3000	5 m <sup>2</sup>

#### Alu-slat DP37 / Guide 20x45

	bk min.	bk max.	hl min.	hl max.	A max. <sup>1)</sup>
Crank	400	3500	400	3000	5.5 m <sup>2</sup>
Spring shaft <sup>2)</sup>	600	2000	400	2500	3.5 m <sup>2</sup>
Motor	740	3500	400	3000	5.5 m <sup>2</sup>
Wireless motor	840	3500	400	3000	5.5 m <sup>2</sup>
Sliding arms	400	2000	1000	3000	5 m <sup>2</sup>

### LIMIT DIMENSIONS MINICOLOR® CONVENTIONAL

#### Alu-slat DP37 / Guide 20x30

	bk min.	bk max.	hl min.	hl max.	A max. <sup>1)</sup>
Crank	400	2500	400	3000	6 m <sup>2</sup>
Spring shaft <sup>2)</sup>	600	2000	400	2500	3.5 m <sup>2</sup>
Motor	740	2500	400	3000	6 m <sup>2</sup>
Wireless motor	840	2500	400	3000	6 m <sup>2</sup>
Sliding arms	400	2000	1000	3000	5 m <sup>2</sup>




#### Alu-slat DP37 / Guide 20x45

	bk min.	bk max.	hl min.	hl max.	A max. <sup>1)</sup>
Crank	400	3500	400	3000	6 m <sup>2</sup>
Spring shaft <sup>2)</sup>	600	2000	400	2500	3.5 m <sup>2</sup>
Motor	740	3500	400	3000	6 m <sup>2</sup>
Wireless motor	840	3500	400	3000	6 m <sup>2</sup>
Sliding arms	400	2000	1000	3000	5 m <sup>2</sup>

<sup>1)</sup> Max. two connected rolling shutters 6 m<sup>2</sup>

<sup>2)</sup> Only necessary for curtain without light slots, manual locking.

### VERSION OVERVIEW OF MINICOLOR® FIX AND CONVENTIONAL

Aluminum slats		DP37
<b>End rail</b>		
A54		●
<b>End stop</b>		
Stop bracket		● A54
Reinforced stop bracket		● A54
<b>Guide rails</b>		
21 × 30 mm		●
23 × 31 mm		○
23 × 36 mm		○
<b>Sliding arm (crank only)</b>		
CH1		○
<b>Locking</b>		
Manual bolt A50		○
Automatic locking	Crank	○
	Motor	○
<b>Drive</b>		
Crank		●
Motor		●
Spring shaft		●
Connected systems	Crank	●
	Motor	●

#### KEY

● Standard

○ Option



**Your partner:**

Griesser solar shading - Quality since 1882.  
[www.griesser.com](http://www.griesser.com)