

Tech Guide


Covers



Covers

Table of contents

General Information	5
Cover types	11
Index	21

 The information and values given refer to our products in their standard version according to the brochure and intended use/application.

General Information

Limit dimensions	6
Sheet thicknesses	8
Complete clip	8
Miter joints (Principle)	9



Production-related sheet metal connection points (stitches) are visible.



Limit dimensions

Type	Miter joint possible	Corner connection possible	HF min.	HF max.	LF min.	LF max. LF1G LF2G	BU min.	BU max.	LU min.	LU max. LU1G LU2G
1.1	●	●	160	500	200	4000 4000 4000				
1.3	●	●	165	500	200	4000 4000				
1.4	-	-	160	400	200	4000 ¹ 4000				
1.5	●	●	50	200	200	3900 3800 4000				
1.6	●	●	160	500	200	4000 4000				
1.7	●	●	160	500	200	4000 4000 4000	60	300	50	4000 3700 3400
2.1	-	-	50	400	100	4000 4000				4000
3.1	●	●	160	500	100	3650 3300 4000	60	300	50	3700 3400 4000
4.1	●	●	160	500	100	3650 3300 4000	60	300	50	3700 3400 4000
5.1	●	●	160	500	200	3700 3400 4000				
5.2	●	●	160	500	100	3700 3400 4000				
5.3	●	-	100	400	100	3780 3560 4000				
5.4	●	-	100	400	100	3780 3560				

¹ Soffit installation only, without brackets. Recommended for max. widths of 2500.

HF Height of front panel
LF Length of front panel
BU Width of soffit
LU Length of soffit

LF1G | LU1G with miter joint on left or right
LF2G | LU2G with miter joint on left and right



▶▶ Limit dimensions

Type	Miter joint possible	Corner connection possible	HF min.	HF max.	LF min.	LF max. LF1G LF2G	BU min.	BU max.	LU min.	LU max. LU1G LU2G
6.1	●	●	160	500	200	4000 4000	60	300	50	3700 3400
6.2	●	●	160	500	200	4000 4000	60	300	50	3700 3400
7.1	●	–					60	300	50	3700 3400
7.2	●	–					17	140	50	3940 3880
7.3	–	–					17	140	50	1500 1450 1400
8.1	●	●	160	500	100	4000 3650 3300				
8.2	●	●	160	500	100	4000 3650 3300				
8.3	●	–	160	500	100	4000 3650 3300				
9.1	●	–	200	500	200	4000 3836 3672				
9.2	●	–	100	500	100	4000 3550 3100				
9.3			160	500	200	4000 4000				
9.4	●	–	200	400	100	3836 3672				

HF Height of front panel

LF Length of front panel

BU Width of soffit

LU Length of soffit

LF1G | LU1G

LF2G | LU2G

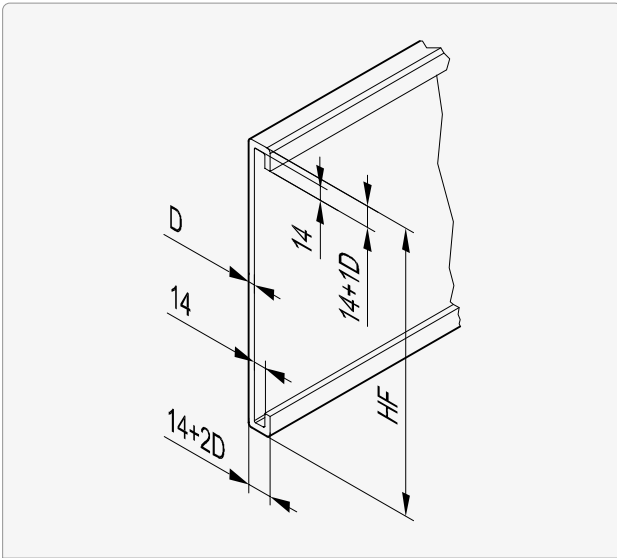
with miter joint on left or right

with miter joint on left and right



Sheet thicknesses

Folding for U-shaped front panels

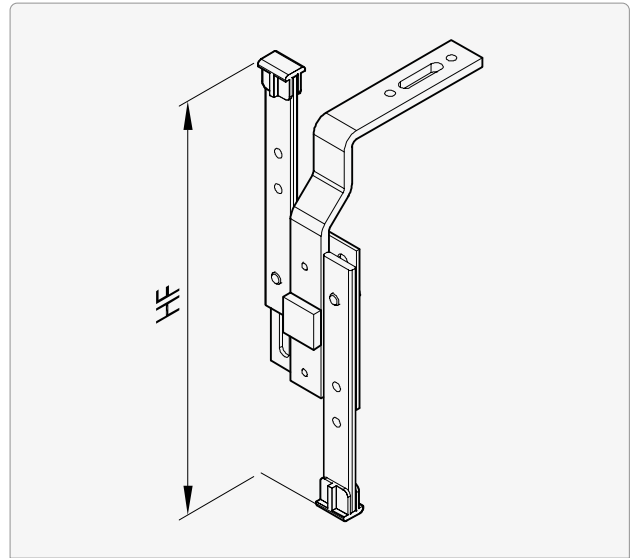


D

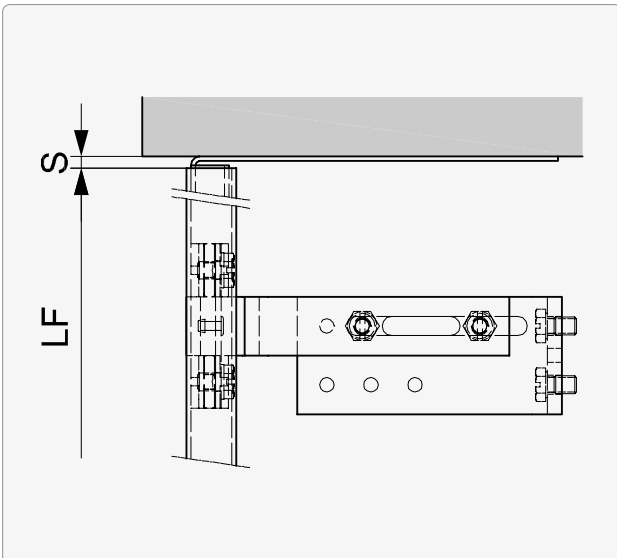
1.5¹

2.0²

Complete clip



Reserve for closing panel



S

2.0¹

3.0²

¹ Standard (within limit dimensions)

² Outside limit dimensions

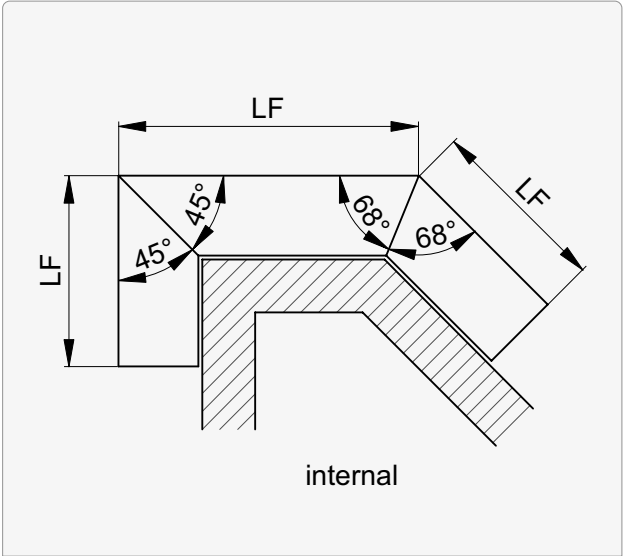
HF Height of front panel

LF Length of front panel



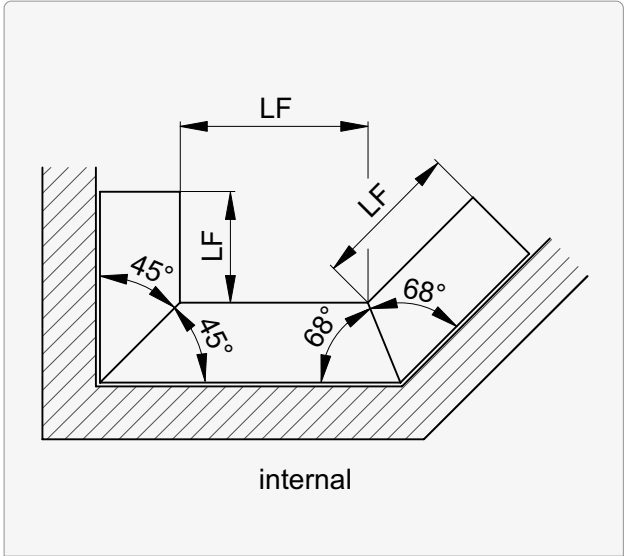
Miter joints (Principle)

external



i Convex corner when viewed from inside
e.g. type 8.2

internal



i Re-entrant corner when viewed from inside
e.g. type 8.2

LF Length of front panel





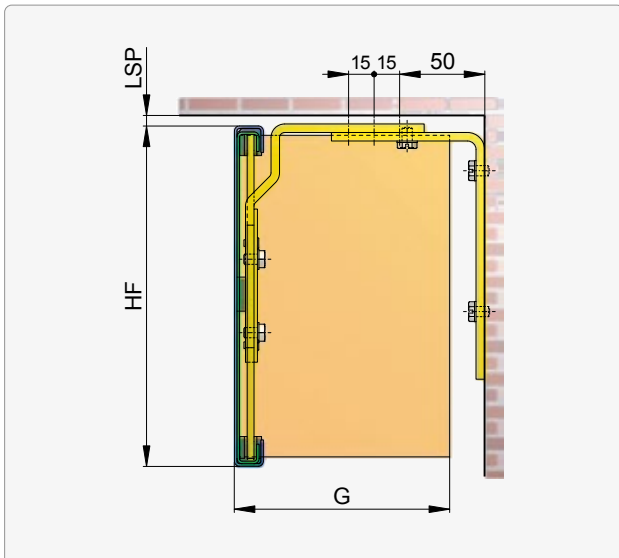
Cover types

Open header	12
Facade	16



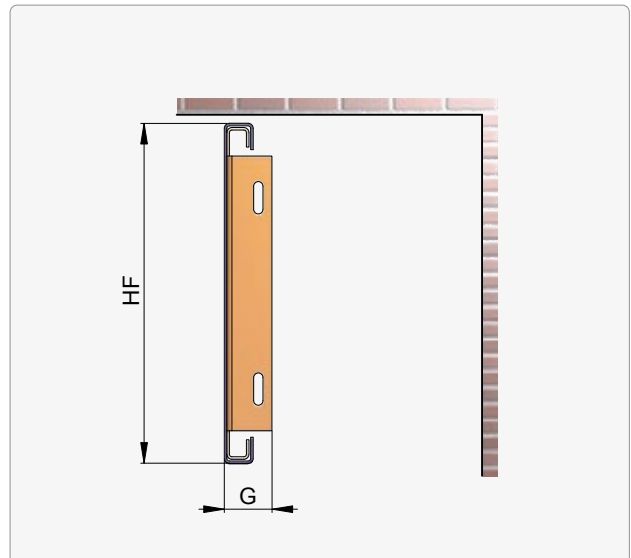
Open header

1.1 Straight cover



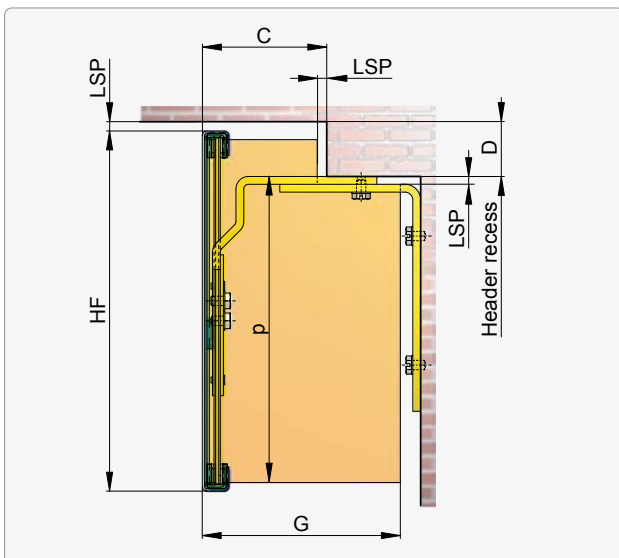
Corner connections	possible
Closing panel	loose or fixed
Clip, fastening	at top or rear

1.4 Straight cover, without clip



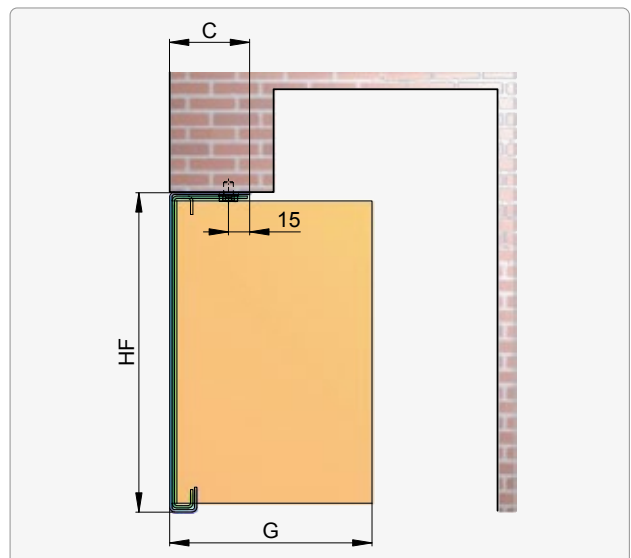
Corner connections	none
Closing panel	loose or fixed
Fastening	lateral

1.3 Straight cover



Corner connections	possible
Closing panel	loose or fixed
Clip, fastening	at top or rear

1.5 Header extension, without clip



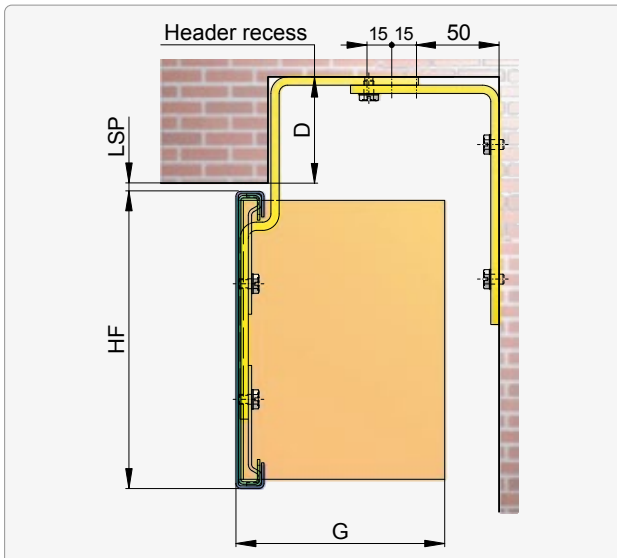
Corner connections	possible
Closing panel	loose or fixed
Fastening	at top

i Blind package positioned lower



►► Open header

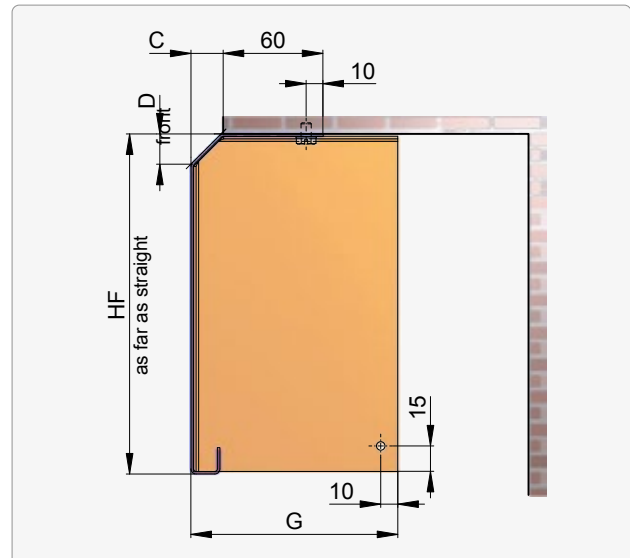
1.6 Straight cover



Corner connections	possible
Closing panel	loose or fixed
Clip, fastening	at top or rear

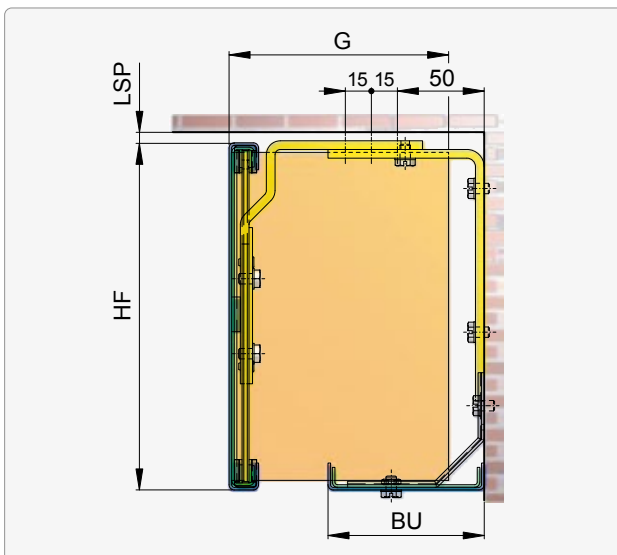
i Clip extended at top

2.1 Protruding cover, without clip



Corner connections	none
Closing panel	loose or fixed
Fastening	at top

1.7 Straight cover



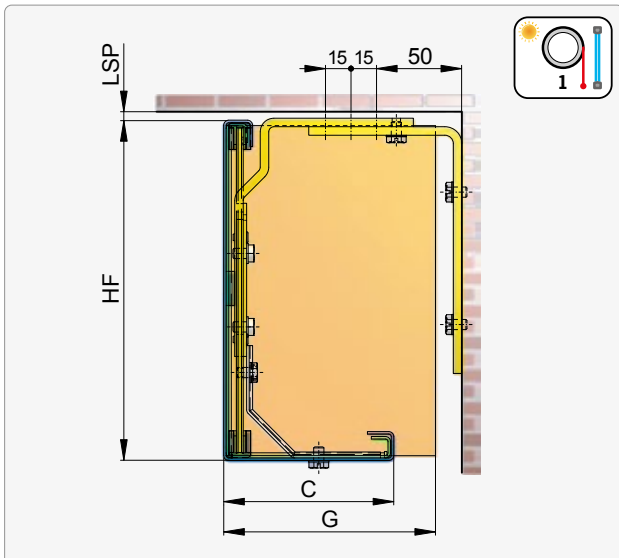
Corner connections	possible
Closing panel	loose or fixed
Soffit	removable
Clip, fastening	at top or rear

BU	Width of soffit
C	Depth of front panel
G	Depth of closing panel
HF	Height of front panel
LSP	Light gap = 5



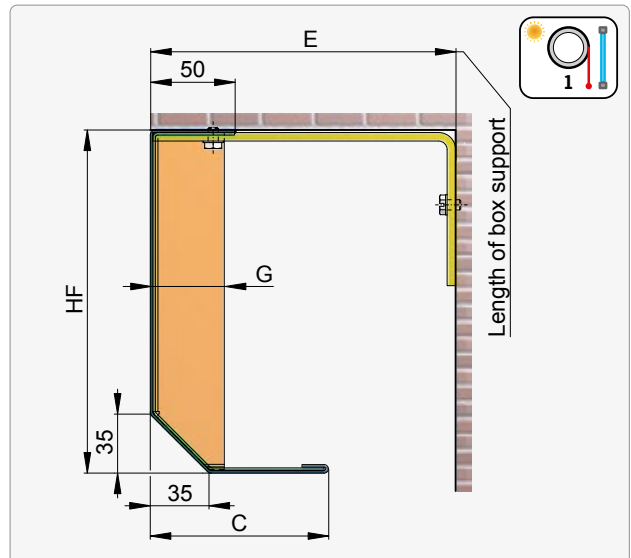
►► Open header

5.1 Straight cover



Corner connections	possible
Closing panel	loose or fixed
Soffit	fixed
Clip, fastening	at top or rear

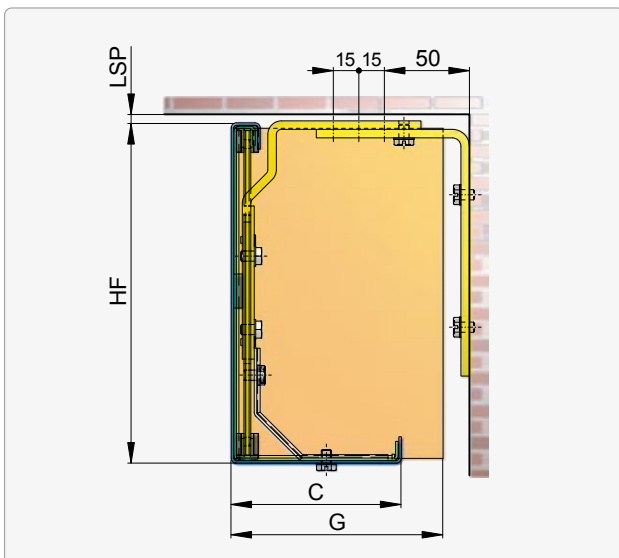
5.3 Cover 45° at bottom



Corner connections	none
Closing panel	loose or fixed
Soffit	fixed
Fastening	at top*

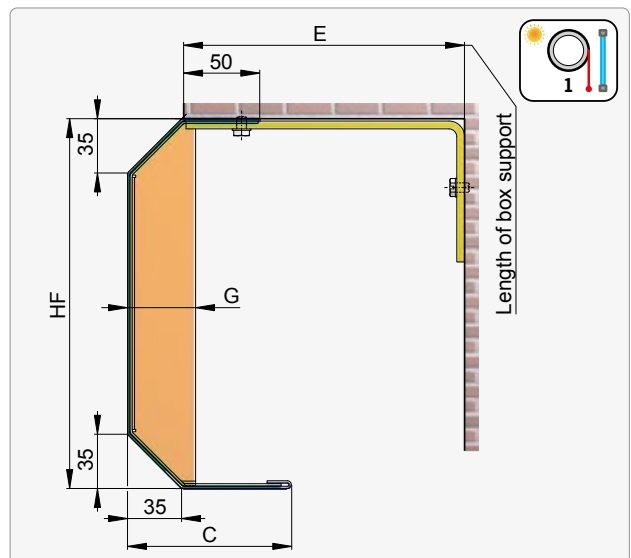
* with box support

5.2 Straight cover



Corner connections	possible
Closing panel	loose or fixed
Soffit	fixed, completely closed
Clip, fastening	at top or rear

5.4 Cover 45° at top and bottom

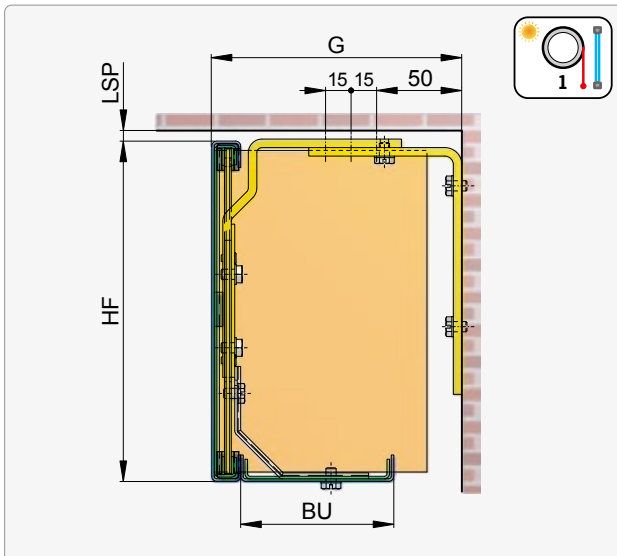


Corner connections	none
Closing panel	loose or fixed
Soffit	fixed
Fastening	at top or rear



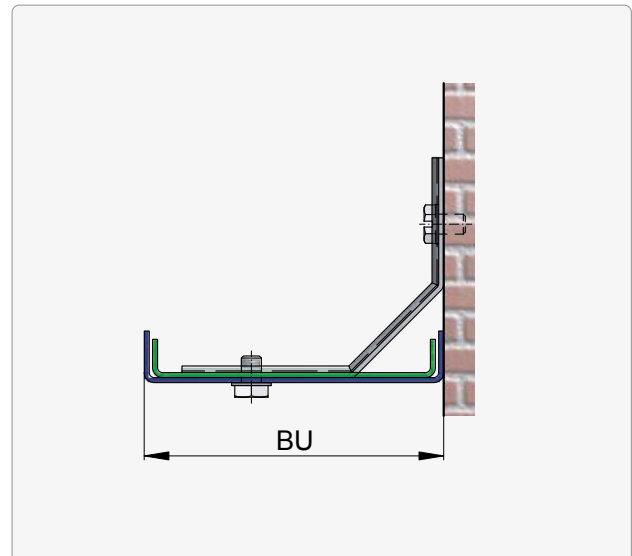
►► Open header

6.1 Straight cover



Corner connections	possible
Closing panel	loose or fixed
Soffit	removable
Clip, fastening	at top or rear

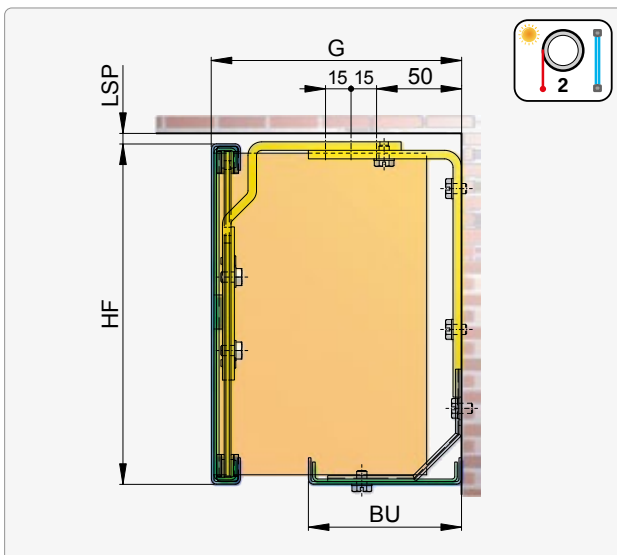
7.1 Soffit from 60 mm



Corner connections	none
---------------------------	------

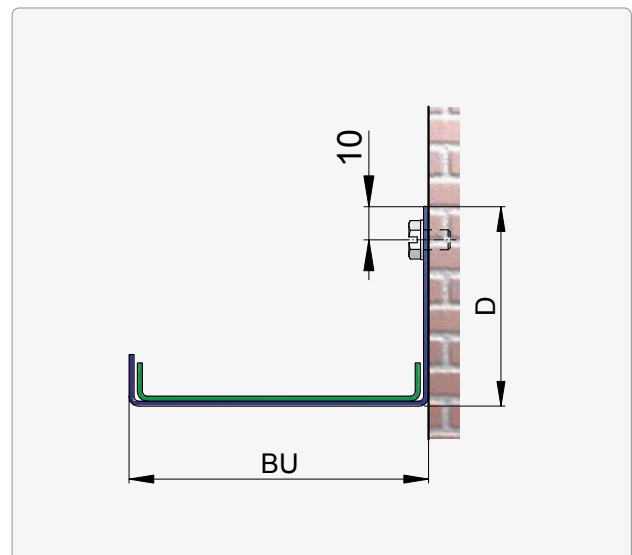
Clip, fastening	at rear
------------------------	---------

6.2 Straight cover



Corner connections	possible
Closing panel	loose or fixed
Soffit	removable
Clip, fastening	at top or rear

7.2 Soffit to 140 mm without clip



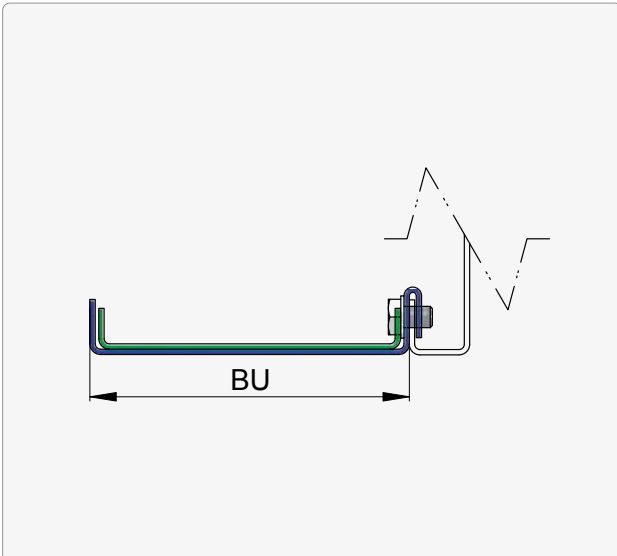
Corner connections	none
---------------------------	------

Clip, fastening	at rear
------------------------	---------



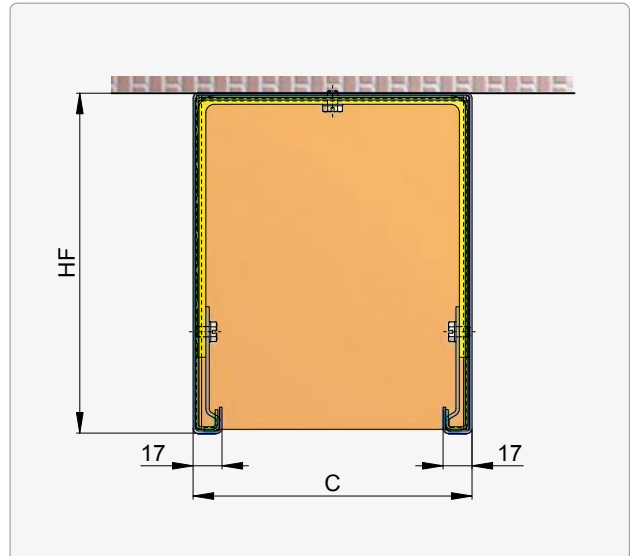
Facade

7.3 Soffit for hanging, without clip



Corner connections	none
---------------------------	------

9.2 Cover below header

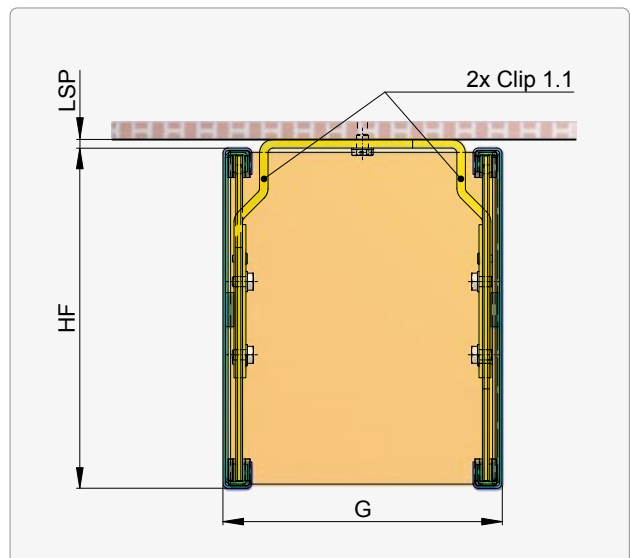


Corner connections	none
---------------------------	------

Closing panel	loose or fixed
----------------------	----------------

Clip, fastening	at top or rear
------------------------	----------------

9.3 Cover inside and outside below header



Corner connections	none
---------------------------	------

Closing panel	loose
----------------------	-------

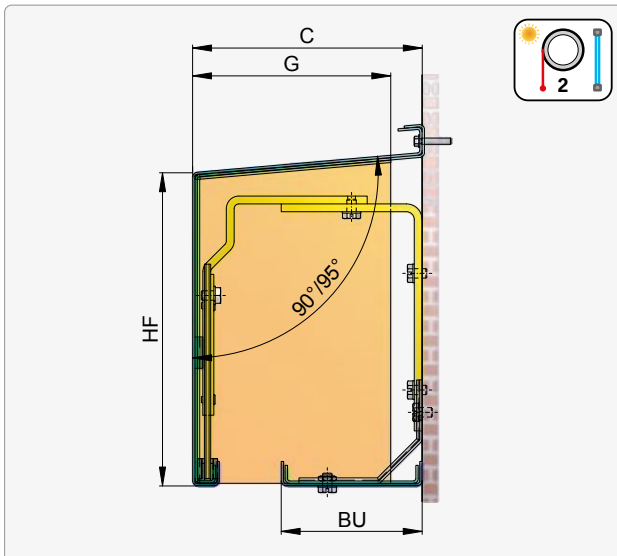
Clip, fastening	at top
------------------------	--------

BU Width of soffit
C Depth of front panel
G Depth of closing panel
HF Height of front panel
LSP Light gap = 5



►► Facade

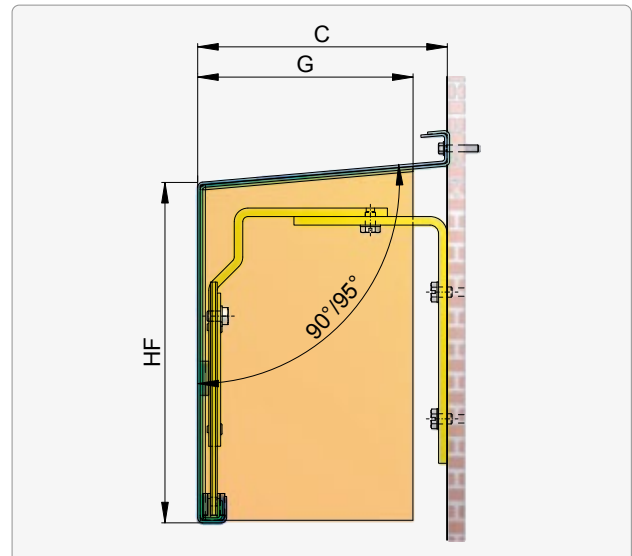
3.1 Porch cover



Corner connections	possible
Closing panel	loose or fixed
Soffit	removable
Clip, fastening	at rear

Option with 90° (depth C)

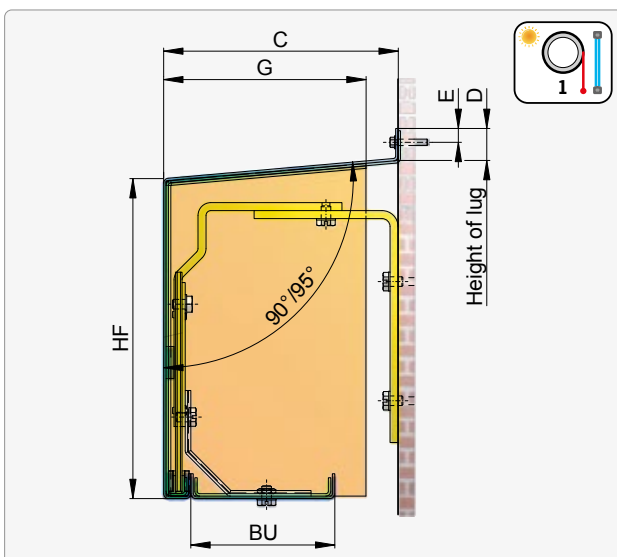
8.1 Porch cover



Corner connections	possible
Closing panel	loose or fixed
Clip, fastening	at rear

Option with 90° (depth C)

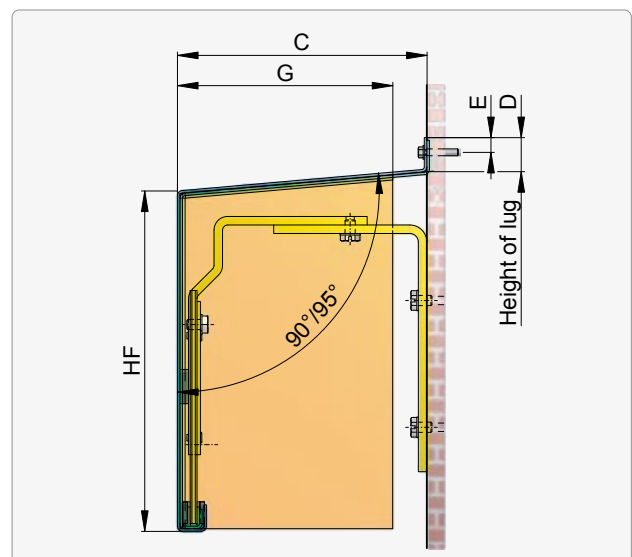
4.1 Porch cover



Corner connections	possible
Closing panel	loose or fixed
Soffit	removable
Clip, fastening	at rear

Option with 90° (depth C)

8.2 Porch cover below weatherboard



Corner connections	possible
Closing panel	loose or fixed
Clip, fastening	at rear

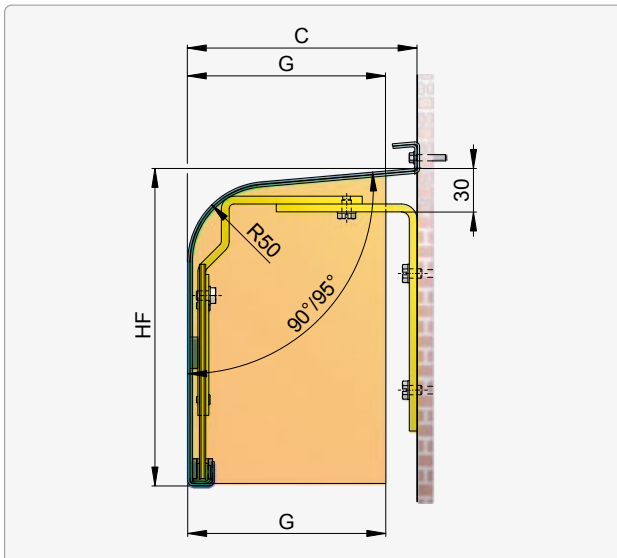
Option with 90° (depth C)

Option of ledge at bottom (D dimension)



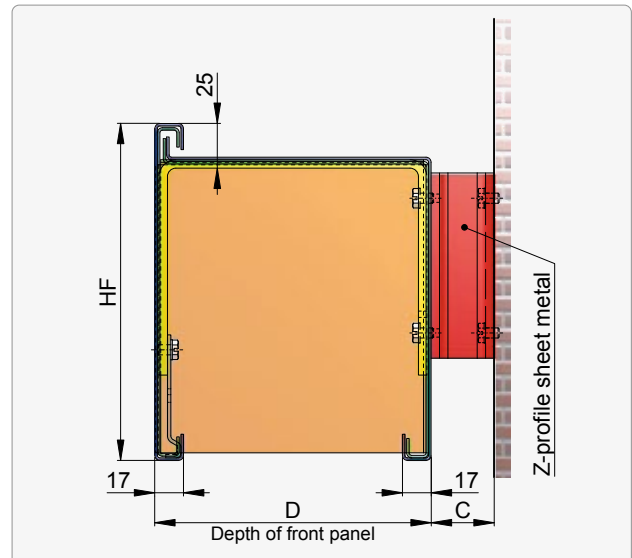
►► Facade

8.3 Porch cover, semi-circular



Corner connections	none
Closing panel	fixed
Clip, fastening	at rear

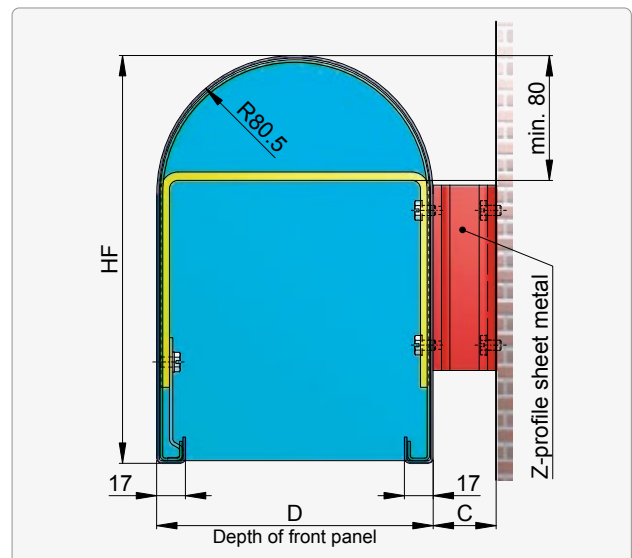
9.1 Suspended cover



Corner connections	none
Closing panel	loose
Clip, fastening	at rear

Distance from facade: **min. 20**
 Z-bracket (C dimension): **20...50**

9.4 Suspended round cover



Corner connections	none
Closing panel	fixed
Clip, fastening	at rear

Distance from facade: **min. 20**
 Z-bracket (C dimension): **20...50**

- BU** Width of soffit
- C** Depth of front panel
- G** Depth of closing panel
- HF** Height of front panel
- LSP** Light gap = 5







Index


C
Complete clip **8**

Cover types

 Facade

3.1 Porch cover	17
4.1 Porch cover	17
7.3 Soffit for hanging, without clip	16
8.1 Porch cover	17
8.2 Porch cover below weatherboard	17
8.3 Porch cover, semi-circular	18
9.1 Suspended cover	18
9.2 Cover below header	16
9.3 Cover inside and outside below header	16
9.4 Suspended round cover	18

 Open header

1.1 Straight cover	12
1.3 Straight cover	12
1.4 Straight cover, without clip	12
1.5 Header extension, without clip	12
1.6 Straight cover	13
1.7 Straight cover	13
2.1 Protruding cover, without clip	13
5.1 Straight cover	14
5.2 Straight cover	14
5.3 Cover 45° at bottom	14
5.4 Cover 45° at top and bottom	14
6.1 Straight cover	15
6.2 Straight cover	15
7.1 Soffit from 60 mm	15
7.2 Soffit to 140 mm without clip	15

L
Limit dimensions **6**

M
Miter joints (principle) **9**

S
Sheet thicknesses **8**





Inspired by the **Sun.**

griesser.com



Subject to change without prior notice · 20260213 · Item no. 185054