

Lamisol® External Venetian Blinds.

Technology, options, applications.





PIONEERS
since
1882
IN SUN PROTECTION

SAVING
up to
40%
OF ENERGY



Lamisol® Venetian blinds.

Lamisol® is the best-selling model in our venetian blind range. Griesser Lamisol® systems excellently regulate light, open and close extremely quietly and boast a sleek and elegant look. With their Z-profile slats, they are a perfect product for office buildings. And with their strong darkening credentials, they're also ideally suited for home applications.



Optimum light management.

Lamisol® slats can be set to any angle. So you can decide how much light to let into each room. Children, for instance, are known to learn better in natural light.



Save energy.

Save up to 40% energy in summer and reduce your heating costs in winter thanks to intelligent daylight control. You can find the latest studies and research results on this topic here: www.es-so.com



Unobstructed views.

Daylight has a huge effect on the productivity, the health and the general well-being of anyone working in an indoor environment.



Outstanding design.

Opt for style. With its vast range of venetian blind models, systems and options, Griesser is a byword for sleek and straightforward design.



High wind resistance.

Griesser's venetian blinds are provenly wind-resistant, with some models capable of withstanding wind strengths of 92 km/h or more.

Technical highlights.

With their perfect and sophisticated fabrication and their top-quality materials, Lamisol® Venetian blinds offer both excellent visual credentials and maximum ease of repair. Griesser also tests its Lamisol® products to 20,000 cycles – double the industry norm.



1 Flanged guide holes.
The flanged guide holes protect the lift tape from damage from sharp punched hole edges, to ensure its problem-free operation and long service life.



2 Tilt cord and lift tape aligned.
Clear visual lines ensure a neat and tidy look.



3 Pivot bearing.
Designed for high-temperature environments of up to 80°C.



4 Reinforced tilt cord.
Yellow Kevlar fibers ensure minimal shrinkage and stretch for many years of optimum slat closure.



5 Stainless steel tilt cord hooks.
High-quality and long-lasting.

Installation locations.

Lamisol® is a highly versatile system that can be installed in a wide range of construction contexts and will fit perfectly into virtually any facade.

1 Lamisol® with cover.

If no header niche is available, the whole system housing can be concealed behind a cover.

2 On the facade.

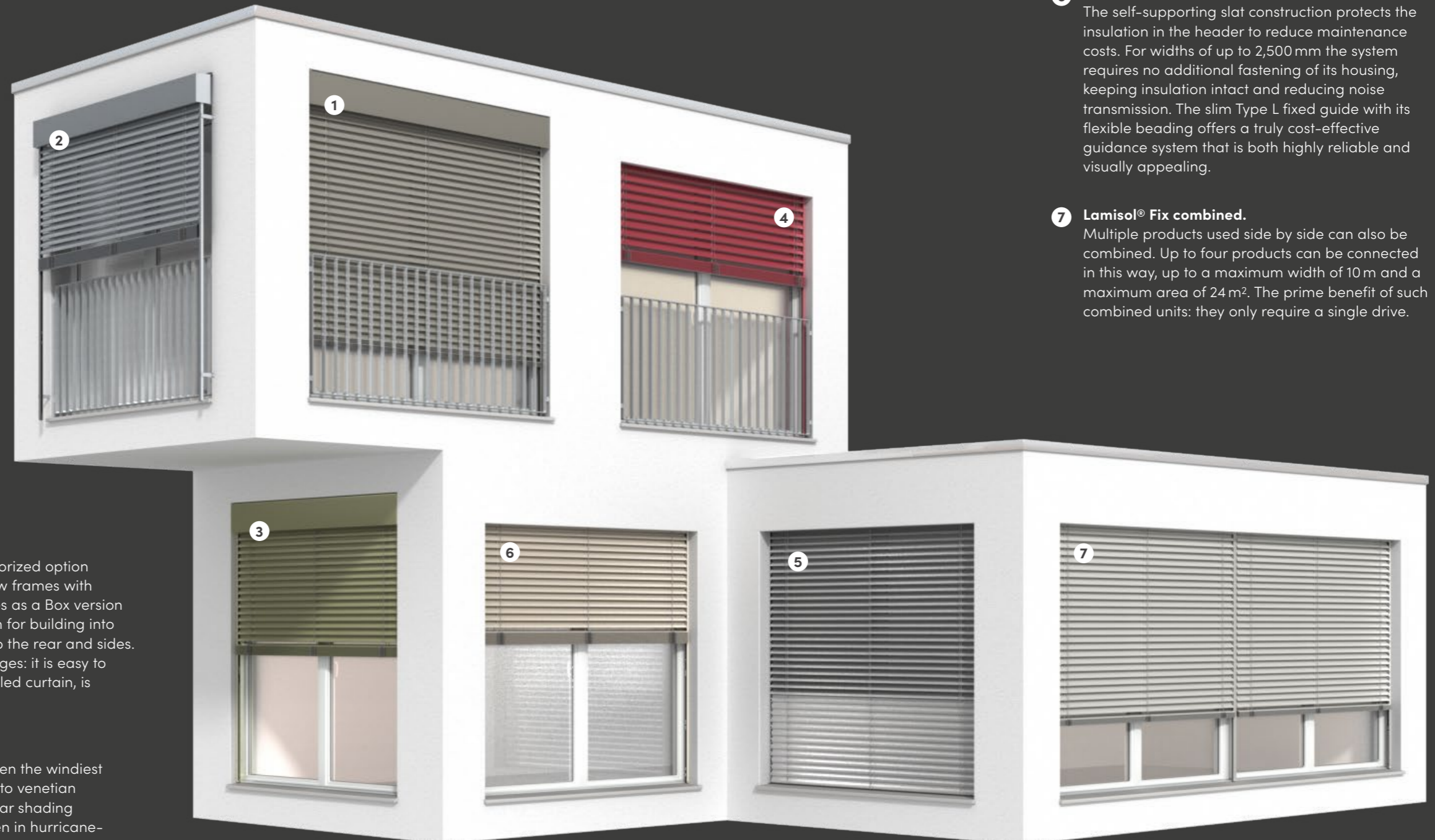
With appropriate bracketing, Lamisol® products can be installed directly onto (and slightly protruding from) the facade. Various cover options are available to ensure an optimum visual finish.

3 Lamisol® System Box.

Lamisol® System is a self-supporting motorized option that is designed for positioning on window frames with two installation options. The system comes as a Box version for front installation or as a Profile version for building into the niche. The guides and box are flush to the rear and sides. Lamisol® System offers a host of advantages: it is easy to plan and measure and, with its pre-installed curtain, is exceptionally quick to install.

4 Lamisol® Vento.

Lamisol® Vento remains untroubled by even the windiest of storms. With their additional cords, Vento venetian blinds will continue to provide reliable solar shading (up to a maximum width of 1500 mm) even in hurricane-strength winds of up to 120 km/h.



5 Lamisol® 70 / 90 Reflect.

The Lamisol® Reflect system offers three (Lamisol® 90) or two (Lamisol® 70) different slat settings in a single product. The lower slat zone protects users from unwanted glare when working on their screens, the middle zone lets in beneficial diffuse daylight and the upper zone guides the light into the heart of the room to ensure an agreeable ambience.

6 Lamisol® Fix.

The self-supporting slat construction protects the insulation in the header to reduce maintenance costs. For widths of up to 2,500 mm the system requires no additional fastening of its housing, keeping insulation intact and reducing noise transmission. The slim Type L fixed guide with its flexible beading offers a truly cost-effective guidance system that is both highly reliable and visually appealing.

7 Lamisol® Fix combined.

Multiple products used side by side can also be combined. Up to four products can be connected in this way, up to a maximum width of 10 m and a maximum area of 24 m². The prime benefit of such combined units: they only require a single drive.

Options.

With Lamisol's various options, you can tailor your product precisely to your individual wishes and needs.



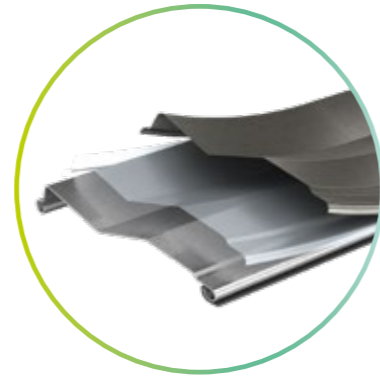
Work Setting.

With the Work Setting option, the system's slats will maintain an angle of around 48 degrees as the blind is lowered, to avoid the inconvenient darkening of the room during the lowering process.



Reflect.

The Reflect option offers varying slat settings in a single product. The lower slat zone protects from unwanted glare when working on a computer screen, the middle zone lets in beneficial daylight and the upper zone guides the light into the heart of the room to ensure a pleasant ambience. So the daylight available is optimally utilized in every case. Use the daylight to your best possible workplace advantage with Lamisol® Reflect, which is available as Lamisol® 70 (two zones) or Lamisol® 90 (three zones).



Protect^{PLUS}.

Challenging air conditions by the sea or in locations with extensive air pollution can make great demands on slatted products. Additional coatings on the slats concerned can protect them from filiform corrosion.



BiColor.

With our BiColor option, you can choose one color for the outward side of your slats that helps your blinds fit harmoniously into your building's facade, and another color for the inward side that matches the tones of your room. **Exclusively at Griesser.**

Note: With the BiColor version, a narrow strip of the outer color is visible on the inside of the blind for each slat.

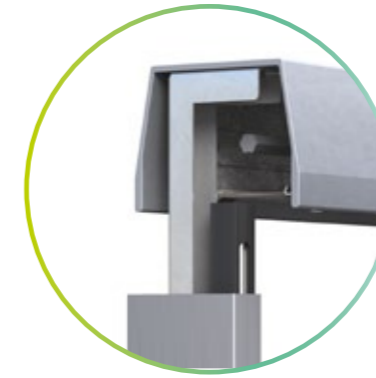
Variants.

Lamisol® is available in different variants, which means that it can be optimally customized to your needs.



Box.

- The Box system fits elegantly into the facade, with no additional fasteners required for a width of up to 4 m.
- The box and guides are flush to the rear and sides.



Profile.

- The Profile system is used for concealed installation within a header niche.
- No additional fasteners required for a width of up to 4.5 m.



Fix.

- Fix is a self-supporting system for up to 2.5 m (maximum width 4,500 mm).
- Swift installation with little tooling required.



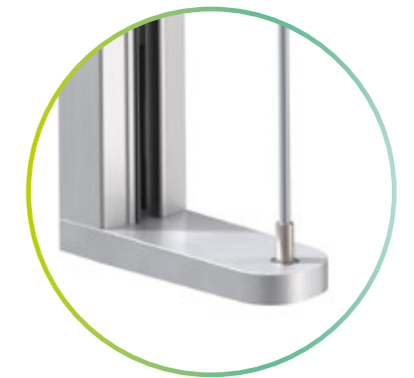
Conventional.

- The classic version for where space is tight. If no header niche is available, Lamisol® can be installed beneath the header.
- A cover can be provided if desired.



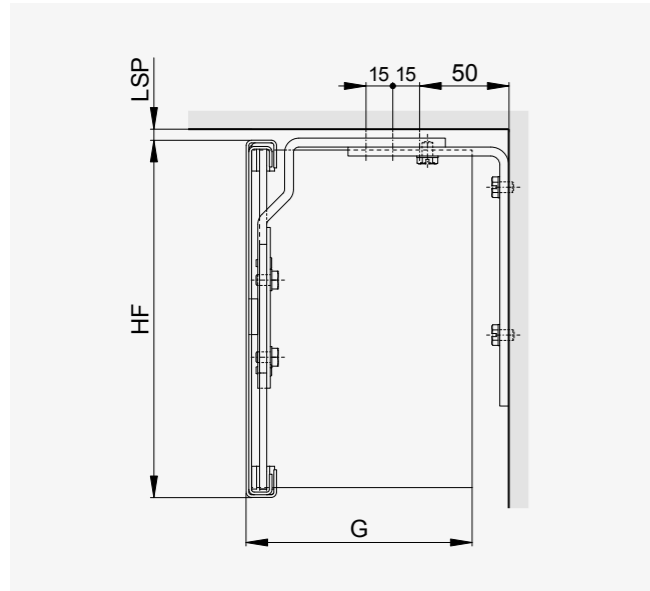
Vento.

- The wind-resistant version with additional cords.
- Stable in winds of up to 120 km/h for widths of up to 1500 mm.



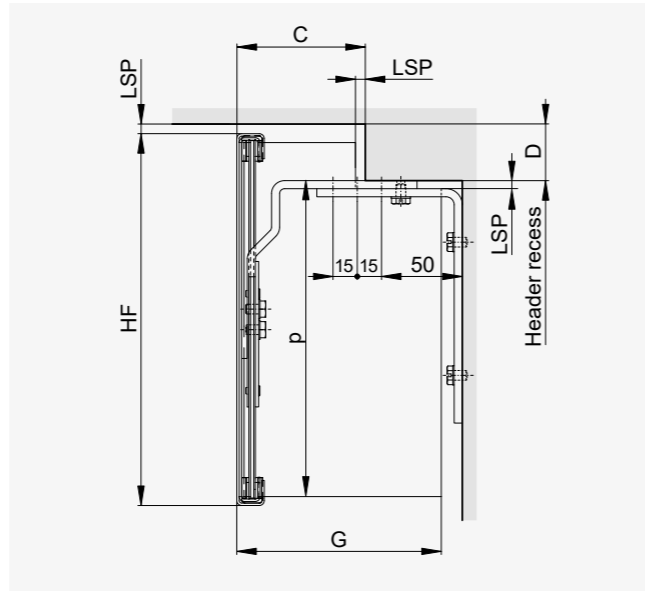
Covers. Open header.

1.1 Straight cover.



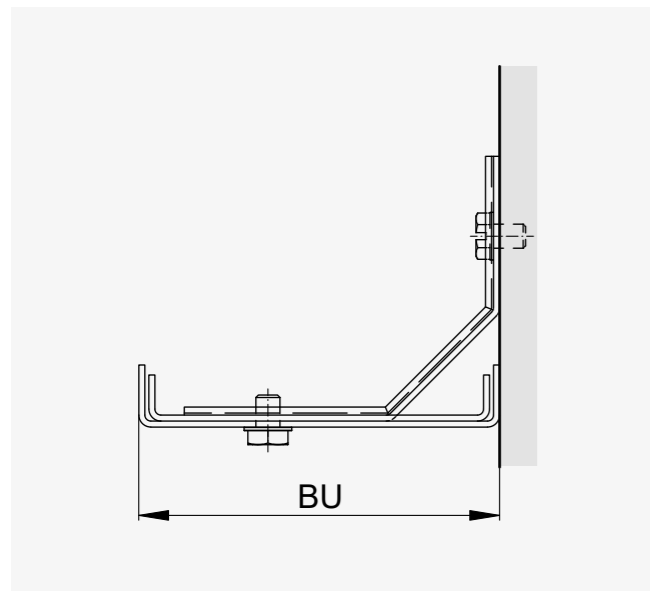
Corner connections	possible
Closing panel	loose or fixed
Clip, fastening	at top or rear

1.3 Straight cover.



Corner connections	possible
Closing panel	loose or fixed
Clip, fastening	at top or rear

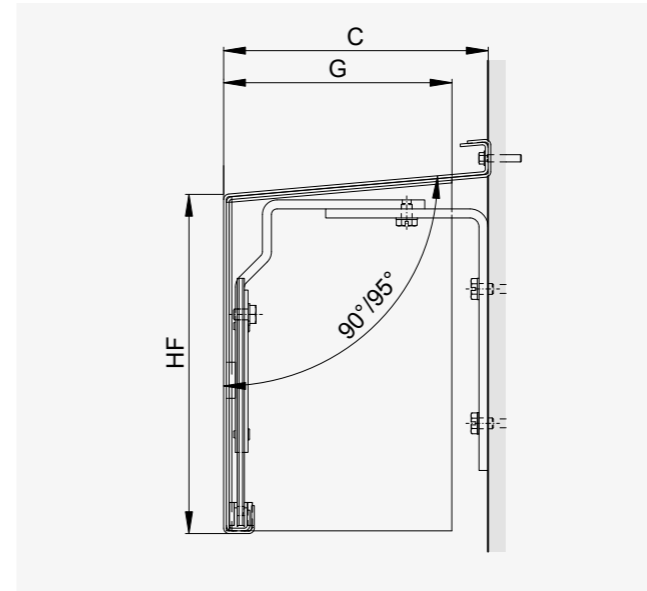
7.1 Soffit from 60 mm.



Corner connections	none
Clip, fastening	at rear or at front on clip

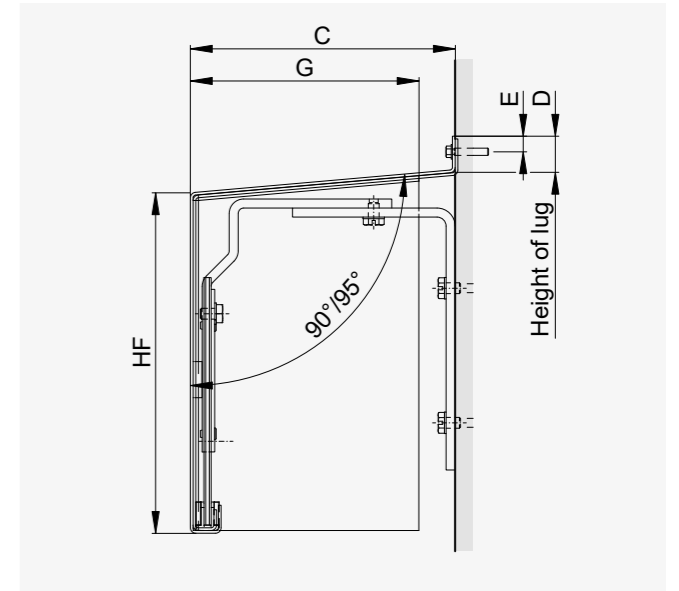
Covers. Facade.

8.1 Porch cover.



Corner connections	possible
Closing panel	loose or fixed
Clip, fastening	at rear
Option	with 90° (Depth C)

8.2 Porch cover below weatherboard.



Corner connections	possible
Closing panel	loose or fixed
Clip, fastening	at rear
Option	with 90° (Depth C)
Option	ledge at bottom (D dimension)

HF Front height
 P Package height
 LSP Light gap
 G Closing panel depth
 C Front panel depth

The covers are 1.5 mm thick. The covers are cut to size and shaped before being powder-coated in-house, to avoid hairline coating cracks at the bend edges. The covers are manufactured to withstand proven EN13659:2015 wind strengths of 130 km/h and pressures of up to 800 N/m².



All covers in brief

The all-round feelgood package for your living and working space.

Discover the Griesser Smart Home and Smart Building controls. With their intelligent network credentials, these systems also offer open interfaces to outside products. Interconnected technology for optimum room comfort. Explore Griesser's unique trio of comfort dimensions.

⊕ Griesser's control solutions provide thermal and visual comfort and optimum privacy protection, all to ensure an ultimate feelgood living and working experience.

Visual comfort.

Griesser's Smart Home system gives you absolute control over the light coming into your home. Smart Home eliminates uncomfortable glare while simultaneously ensuring optimum light volumes – as much or as little light as you wish.

Thermal comfort.

Automatically operated solar shading maintains an optimum room ambience all year round. The system not only perfectly regulates inside temperatures: it lowers the need for heating and cooling, too. That saves energy to deliver a truly winning combination of feelgood comfort with strong sustainable credentials.

Protective comfort.

Griesser's Smart Home system does not just deliver welcome physical comfort: it provides reassuring protection of your personal privacy, too. So you can enjoy all the coziness of your own four walls free of prying eyes. Safe, secure and undisturbed: Smart Home offers it all.

Griesser Smart Home.

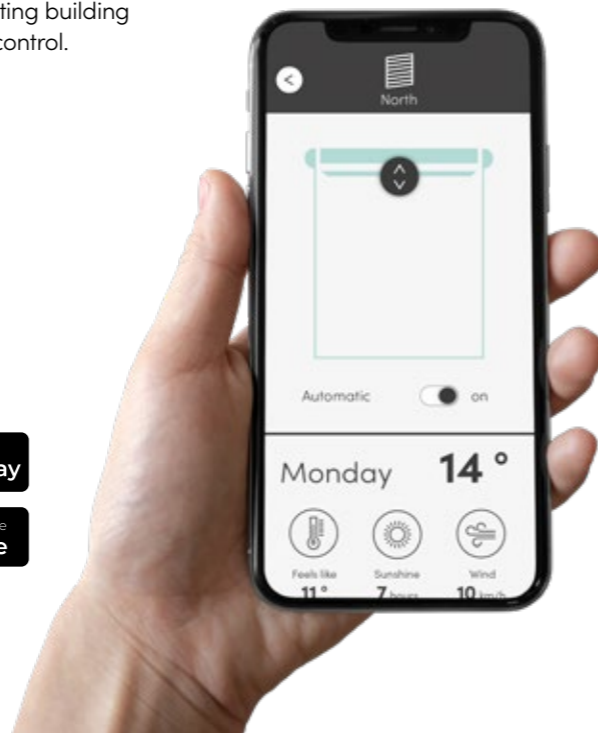
With its solar shading models, weather sensors, receivers and apps, Griesser has a wide range of systems to help you reliably network your solar shading facilities. And with their perfect interconnections, we'll provide you with a solar shading solution that is ideally tailored to your particular wishes and needs.

KNX house and building automation.

Griesser's KNX solar shading control option is an integrated master control system that boasts a broad range of functions to serve buildings of every size. With their tried-and-trusted features such as solar tracking and horizon limitation, KNX systems meet the highest demands of any solar shading controls.

BiLine radio control.

Griesser's BiLine control system blends contemporary design with high functional reliability through its routing technology. Radio control systems offer the key advantage of being easy to install, be it in new constructions or as retrofits to provide an existing building with automated systems control.



Live more sustainably. Save energy.



Visual comfort.
Visual privacy, glare protection and daylight regulation.



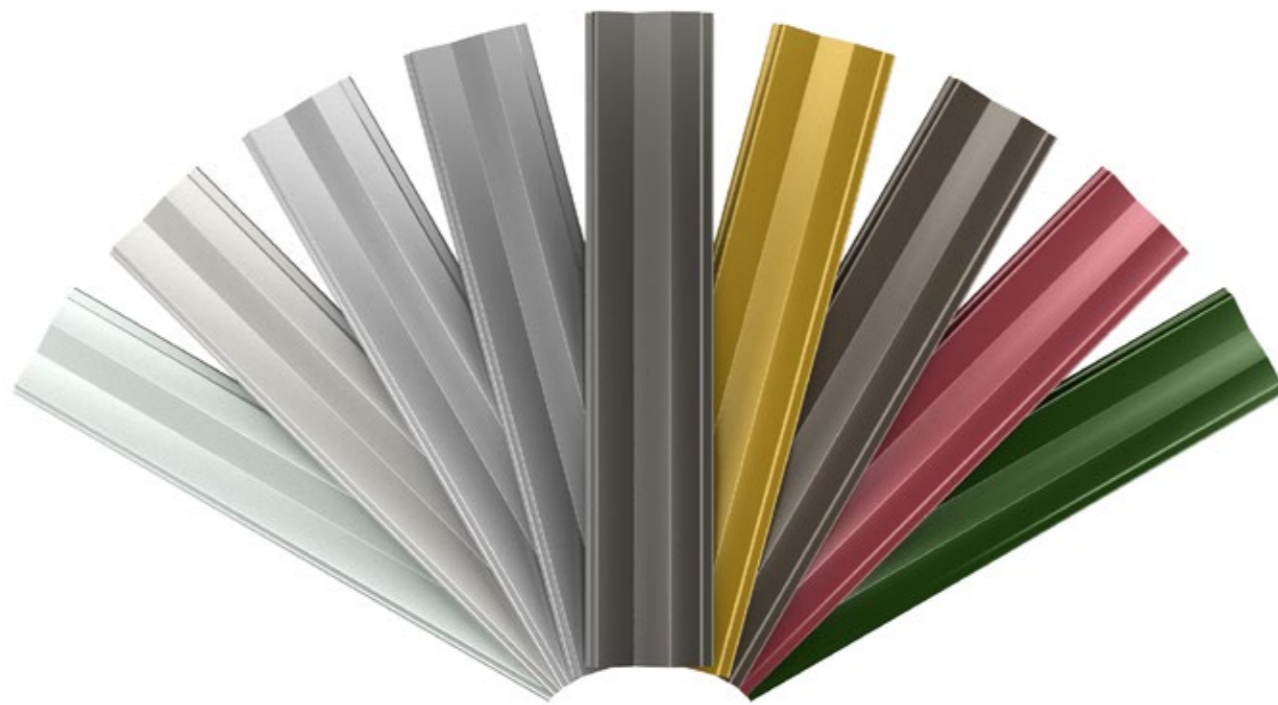
Thermal comfort.
An ideal indoor climate and high energy efficiency.



Protective comfort.
For greater privacy and seclusion.

Immerse yourself in the **Griesser color world.**

Choose from over 150 colors to harmonize your solar shading perfectly with your facade. The color of your blinds will be a combination of color shade, luminosity and texture. Components are provided as standard with a matt texture and a semi-gloss luminosity.



Create your color.

Instead of restricting you to silver, grey or black, Griesser invites you to simply choose your own favorite color. And if you can't see it in our range, you can bring us your favorite pullover or a sample of the color of your wall. We can then recreate the shade using our color spectrometer and blend it especially for you. So that your solar shading fits perfectly into your architecture's color concept.

Rich. Elegant. Optimally coated.

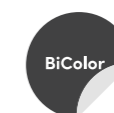
We want our products to be both durable and suitable for use in any situation. That's why we've developed an optimal coating for each of our products. It consists of the color shade, the luminosity level and the texture. The result: colors that are as rich and intense as you want them to be. For solar shading that reflects and absorbs just the right amount of light to suit the climate and the space. And for the final touch, we also provide additional particles that create a particularly elegant effect.

GriRAL.

Our GriRAL color collection consists of 50 different RAL color shades. From sand yellow to traffic white, we offer an extensive range of shades in every color segment. So we're convinced we have just the color shade, to meet your particular wishes and needs.

GriColors.

Our GriColors range, with its four collections of Glass & Stone, Sun & Fire, Water & Moss and Earth & Wood, offers some 100 color shades from cool whites to warm reds, natural blues and earthy browns.



BiColor.

Slats in two colors: one for the interior and one for the outside world – that's the BiColor product. So for the outer face of your blinds, you can select a color for your slats that fits seamlessly into your facade in visual terms. And for the inner face of the blind, you can align your slats' color to the contents of the room. **Exclusively at Griesser.** Dare to be bold!

Note: With the BiColor version, a narrow strip of the outer color is visible on the inside of the blind for each slat.



Verified quality.

All the suppliers of our color lacquers and powders have earned themselves the globally recognized QUALICOAT quality seal of approval.



No more compromise with the BiColor option.
Slats coated in two distinct colors, one for inside and one for the outside look.

Lamisol® dimensions.

Minimum and maximum dimensions by type of drive.

	Lamisol® 90					Lamisol® 70				
	Width (bk)		Height (hl)		Area (bk × hl)	Width (bk)		Height (hl)		Area (bk × hl)
	min.	max. ¹	min.	max.	max.	min.	max. ¹	min.	max.	max.
Motor drive ²	590	4,500	400	4,300	10	590	4,500	400	4,300	10
Crank drive ³	510	4,500	400	4,300	10	510	4,500	400	4,300	10

¹ The maximum value must be duly reduced on a case-by-case basis for high-rise structures and other buildings exposed to the wind.

² Maximum overall width for maximum of four connected blinds 10m and maximum area 24m². Motor position as central as possible.

³ Maximum overall width for maximum of four connected blinds 10m and maximum area 11m². Maximum of two blinds each side of gearbox.

Minimum depth of header niche.

	Lamisol® 90		Lamisol® 70	
	min.	max.	min.	max.
Depth of niche* (tn)	min. 130		min. 100	
A*/B	min. 65		min. 50	

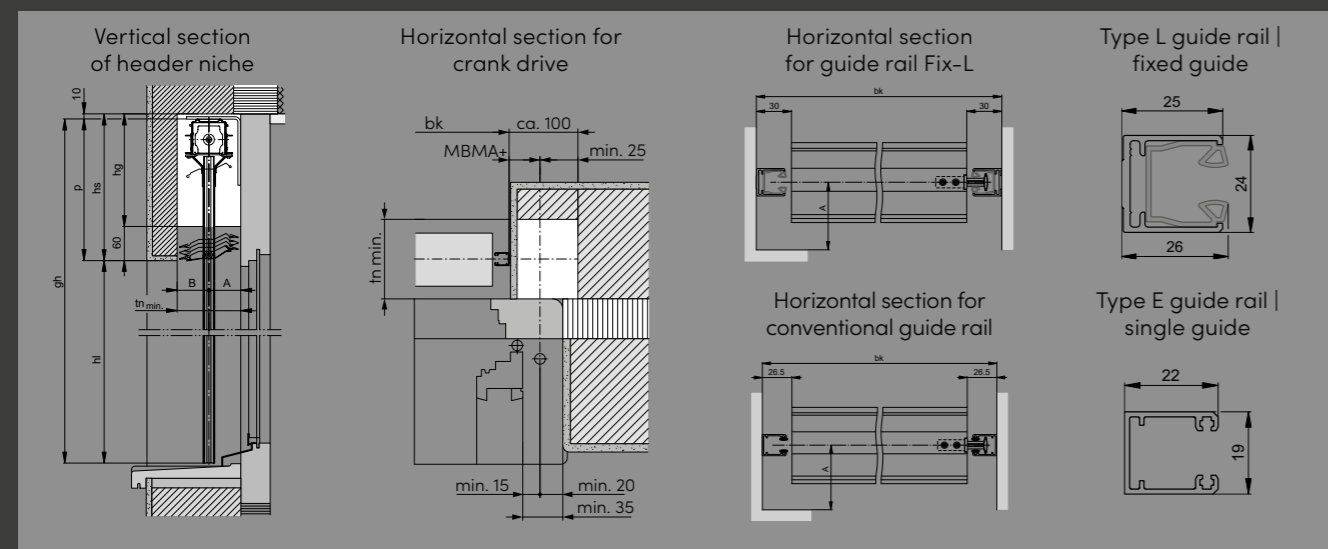
* Plus any addition required for protruding weatherboard or doorknob.

Minimum height of header niche.

Lamisol® 90				Lamisol® 70			
(hl)	(hs)	(hl)	(hs)	(hl)	(hs)	(hl)	(hs)
<1,750	225	3,001–3,250	305	<1,250	205	2,751–3,000	315
1,751–2,000	235	3,251–3,500	320	1,251–1,500	220	3,001–3,250	335
2,001–2,250	250	3,501–3,750	330	1,501–1,750	235	3,251–3,500	350
2,251–2,500	260	3,751–4,000	350	1,751–2,000	250	3,501–3,750	365
2,501–2,750	275	4,001–4,250	360	2,001–2,250	265	3,751–4,000	385
2,751–3,000	290	4,251–4,300	365	2,251–2,500	285	4,001–4,250	400
				2,501–2,750	300	4,251–4,300	405

Header dimensions are approximate values which may exhibit negative or positive deviations depending on the technical circumstances.

Technical details.



hg Height of gearbox opening MBMA Measurement to center of drive
Further technical details are available in the Short Guide at griesser.com

Lamisol® System dimensions.

Minimum and maximum dimensions by type of drive.

	Lamisol® System Profile					Lamisol® System Box				
	Width (bk)		Height (hl)		Area (bk × hl)	Width (bk)		Height (hl)		Area (bk × hl)
	min.	max. ¹	min.	max. ¹	max.	min.	max. ¹	min.	max. ¹	max.
Motor drive ²	500	4,500	400	4,300	10	500	4,000	400	4,300	10

¹ The maximum value must be duly reduced on a case-by-case basis for high-rise structures and other buildings exposed to the wind.

² Maximum overall width for maximum of four connected blinds 10 meters and maximum area 24m². Motor position as central as possible.

Minimum depth of header niche.

	Lamisol® 90		Lamisol® 70	
	Profile	Box (C=141)	Profile	Box (C=121)
Depth of niche* (tn)	min. 130		min. 130	
A*	64.5		55.5	

* Plus any addition required for protruding weatherboard or doorknob.

Minimum height of header niche.

Lamisol® 90 System Profile				Lamisol® 70 System Profile			
(hl)	(hs)	(hl)	(hs)	(hl)	(hs)	(hl)	(hs)
<1,750	225	2,751–3,000	290	<1,750	235	2,751–3,000	315
1,751–2,000	235	3,001–3,250	305	1,751–2,000	250	3,001–3,250	335
2,001–2,250	250	3,251–3,500	320	2,001–2,250	265	3,251–3,500	350
2,251–2,500	260	3,501–3,750	330	2,251–2,500	285	3,501–3,750	365
2,501–2,750	275	3,751–4,000	350	2,501–2,750	300	3,751–4,000	385

Header dimensions are approximate values which may exhibit negative or positive deviations depending on the technical circumstances.

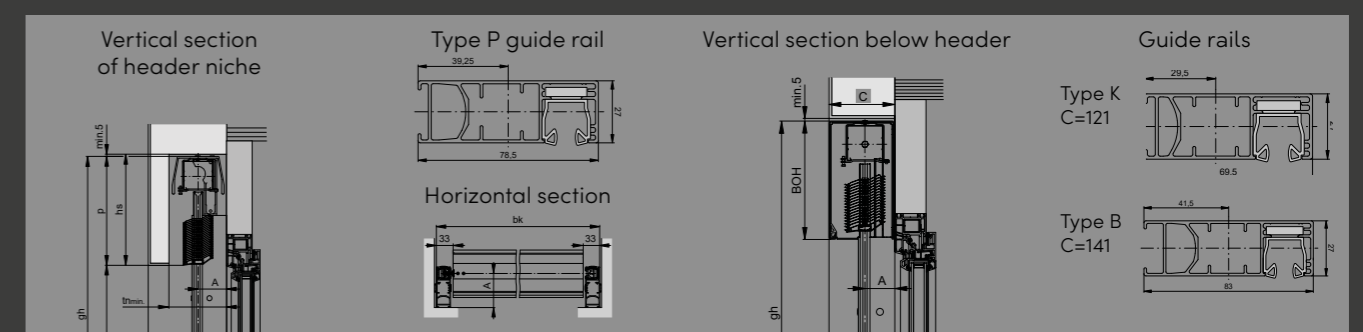
Box dimensions.

Lamisol® 90 System Box				Lamisol® 70 System Box			
Total height (gh)	Box height (BOH)	Total height (gh)	Box height (BOH)	Total height (gh)	Box height (BOH)	Total height (gh)	Box height (BOH)
620–2,120	220	3,651–4,660	300**	590–1,440	190	2,511–3,200	300
2,121–2,860	260			1,441–1,920	220	3,201–4,700	300**
2,861–3,650	300	Depth of Box C	141	1,921–2,510	260	Depth of Box C	121

** Slat package not fully covered.

System Profile technical details.

System Box technical details.



Lamisol® Vento dimensions.

Minimum and maximum dimensions by type of drive.

Lamisol® Vento	Width (bk)		Height (hl)		Area (bk x hl)
	min.	max. ¹	min.	max.	max.
Motor drive ²	695	3,000	400	3,000	9

¹ The maximum value must be duly reduced on a case-by-case basis for high-rise structures and other buildings exposed to the wind.

² Maximum overall width for maximum of three connected blinds 9m and maximum area 20m².

Minimum depth of header niche.

Lamisol® Vento	
Depth of niche* (tn)	min. 130
A*/B	min. 65

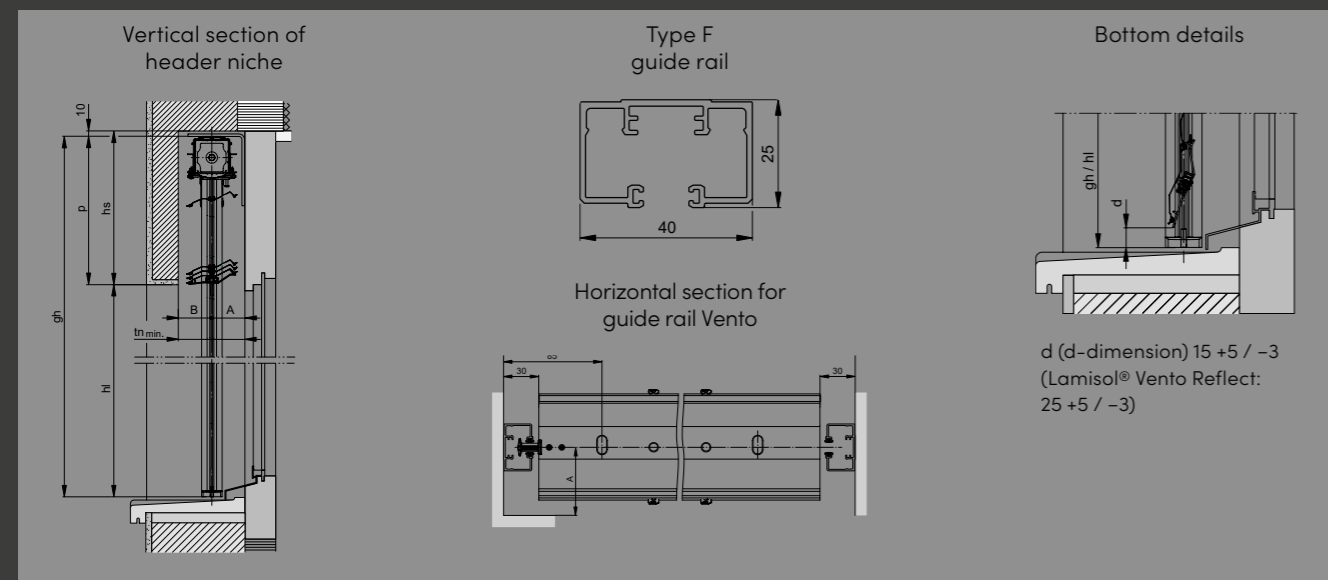
* Plus any addition required for protruding weatherboard or doorknob.

Minimum height of header niche.

Lamisol® Vento	(hl)	(hs)
<1,800		225
1,801–2,000		235
2,001–2,250		250
2,251–2,500		260
2,501–2,750		275
2,751–3,000		290

Header dimensions are approximate values which may exhibit negative or positive deviations depending on the technical circumstances.

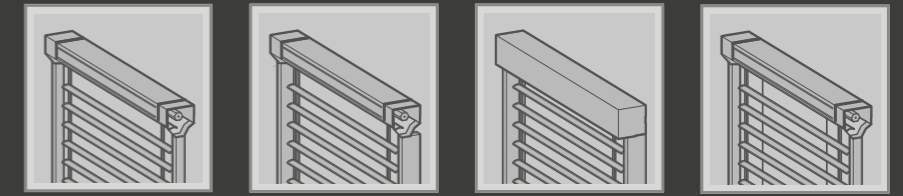
Technical details.



gh Overall height hl Finished clear height hs Height of header
Further technical details are available in the Short Guide at griesser.com

Product variants.

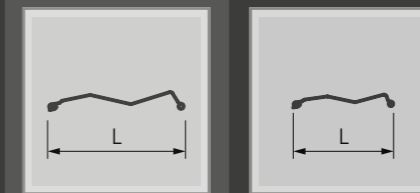
Installation situations.



	Standard	System Profile	System Box	Vento
Installation location				
in header niche	■	■	-	■
beneath header	(■) ¹	(■) ¹	■	(■) ¹
on facade	(■) ¹	(■) ¹	■	(■) ¹
Type of installation				
quick installation	-	■	■	-
Guide				
self-supporting	■	■	■	■
conventional	■	-	-	-

¹ With cover.

Slats.



	Lamisol® 90 Lamisol® Vento	Lamisol® 70
Slat width (L)	93	69

Options.

Work Setting.

With the Work Setting option, the room will not temporarily darken as the closing blind descends.

Reflect.

Optimum use of daylight at the computer-screen workplace with Lamisol® Reflect, which offers two (Lamisol® 70) or three (Lamisol® 90) slat angle zones.

Operation.

Drive (motor or crank)	Radioless	Simple radio	Bidirectional radio	Crank
Elero	■	- ¹	BiLine ²	-
Somfy	■	- ³	IO	-
Crank	-	-	-	■

Note: the IO receivers are not compatible with the soft-closing motor.

¹ An RTS radio receiver can be ordered separately.

Please note that the RTS radio receiver only works in conjunction with an Elero Soft motor.

² An IO radio receiver can be ordered separately.

Attention: the IO radio receiver only works in conjunction with an Elero Soft Motor.

³ An RTS radio receiver can be ordered separately.

Automation.

Smart Home	Smart Building
Griesser BiLine KNX	KNX

Compatible with further controls: on request.

■ possible - not possible

Wind categories.

Lamisol®, Lamisol® Vento, Lamisol® System.

Product	Permissible wind resistance category thresholds ¹								
	1,500	2,000	2,500	3,000	3,500	4,000	4,500	5,000	
Width (mm)									
Lamisol® 70	6	6	5	4	4	4	3	-	
Lamisol® 90	6	6	6	5	5	5	3	-	
Lamisol® Vento	[8]	[7]	[7]	6	-	-	-	-	
Lamisol® System 70	6	6	5	4	4	4	3	-	
Lamisol® System 90	6	6	6	5	5	5	3	-	

¹ Tests based on EN13659 product norm. Product limit dimensions as per data sheet.
 [] No wind resistance category based on product norm; for meaning see below.

Setting values for sensors according to manufacturer.

Category 0	Category 1	Category 2	Category 3	Category 4	Category 5	Category 6	Category [7]	Category [8]
<9.0m/s	9.0m/s	10.7 m/s	12.8m/s	16.7 m/s	21.0m/s	25.6m/s	29.2m/s	33.3m/s
<32.5 km/h	32.5km/h	38.5km/h	46km/h	60km/h	76km/h	92km/h	105km/h	120km/h

Setting for wind sensors if installed on the product.
 [] No wind resistance category based on product norm.

Corrosion classes.

Lamisol®, Lamisol® Vento, Lamisol® System.

Product	Corrosion class
Lamisol®	4
Lamisol® Vento	4
Lamisol® System	4

Tests and evaluations
 Salt spray tests conducted in accordance with ISO 9227.
 Visual inspections performed in accordance with EN1670.

Corrosion classes as per EN 13659:2015.

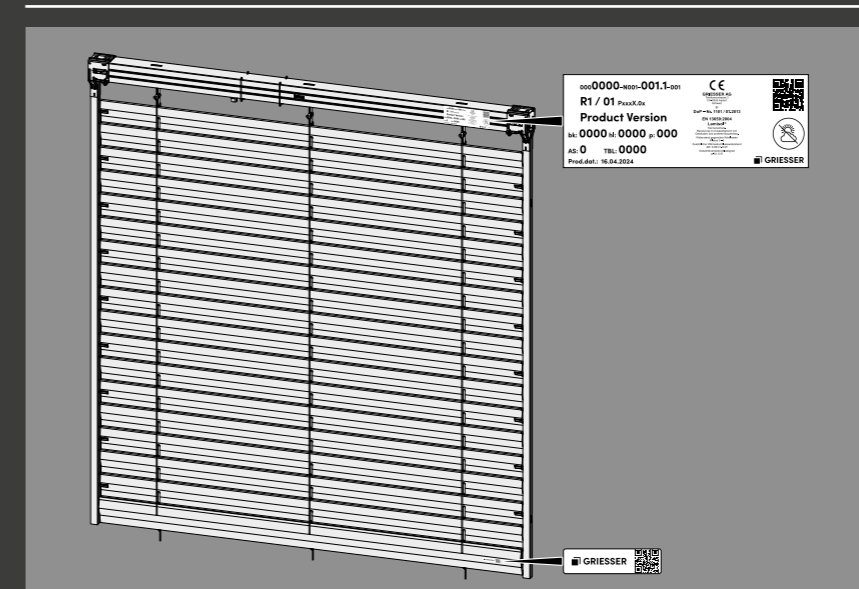
Corrosion class	Applications	Length of testing
1	Little resistance Indoors in dry environments	24 h
2	Moderate resistance Indoors in environments where condensation may occur	48 h
3	High resistance Outdoors where damp, rain or dew may occasionally or frequently occur	96 h
4	Very high resistance Outdoors in very tough conditions	240h

Fire protection categories.

Lamisol®, Lamisol® Vento, Lamisol® System.

Product group	Venetian blinds, rolling shutters, window shutters
Blind/shutter material	Aluminum
Example	Lamisol®
Swiss VKF flammability group	RF1
Swiss VKF fire index number	6q.3
EU fire performance class under EN 13501-1	A2-s1.d0
Description	(virtually) nonflammable

Product identification.



Griesser products are labelled with an individual QR code. Scanning this QR code provides a wealth of information and services.

Further information.



Total energy transmittance



Short manual External venetian blinds



Inspired by the **Sun.**



griesser.com

